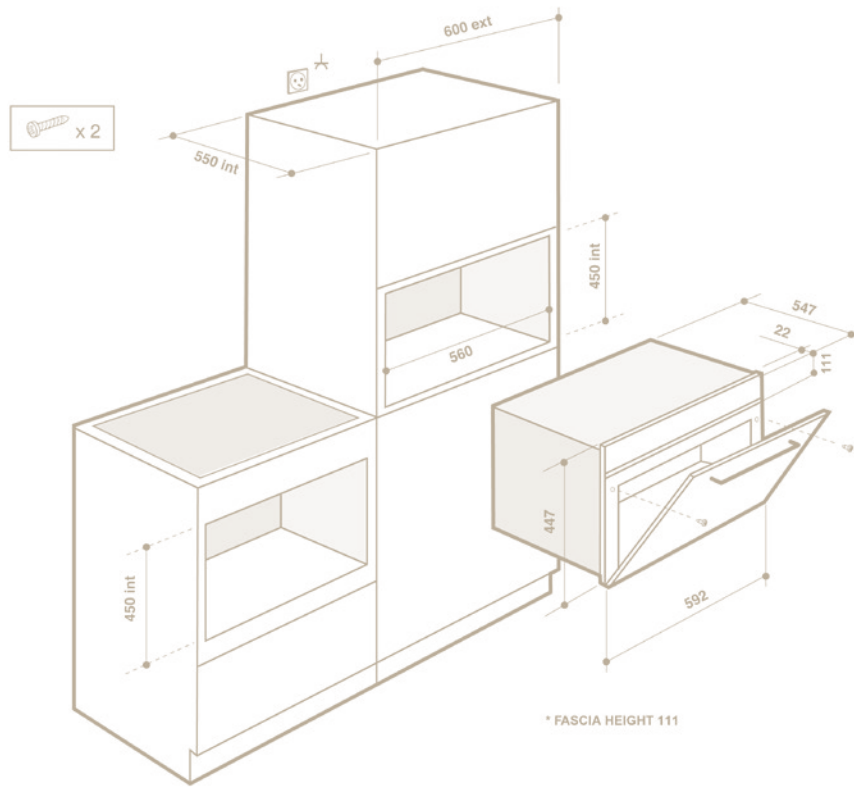


# COMPACT OVENS TECHNICAL INFORMATION

MODEL NUMBER	DME1195GX	DOM1195GX/B/W	DOS1195GX/B/W
Type of cleaning	Manual	Manual	Pyroclean
<b>FEATURES &amp; CONTROLS</b>			
Type of controls	Sensitive touch control	Sensitive touch control	Sensitive touch control
Display	Animated	Animated	Animated
Interior light (watts)	1 x 25W	1 x 25W	1 x 25W
Electronic programmer	•	•	•
Recommended temperatures	•	•	•
Pre-set temperatures	•	•	•
Oven functions	10	13	14
Automatic clock	•	•	•
Electronic minute minder	•	•	•
<b>OVEN</b>			
Type of cavity	High grade enamel	High grade enamel	High grade enamel
Grill (kW)	1.75	1.75	1.75
Fan (kW)	1.6	1.6	1.6
Power of bottom element (kW)		1.2	1.2
Microwave Power (kW)	1.0	1.0	
Steam generator (kW)			1.2
Removable door & inner glass panel			•
<b>SAFETY FEATURES</b>			
Auto-safety shut off		•	•
Child lock	•	•	•
Type of door	Triple glazed	Triple glazed	Cool door
Number of glass panels	3	3	4
Cooling fan	•	•	•
<b>EQUIPMENT &amp; ACCESSORIES</b>			
Shelves	•	•	•
Full width meat tray	•	•	•
Lissium baking tray	•	•	•
Glass tray	•	•	
<b>DIMENSIONS</b>			
Built-in aperture H / W / D (mm)	450 x 560 x 550	450 x 560 x 550	451 x 560 x 550
Overall (with handles) H / W / D (mm)	456 x 592 x 628	457 x 592 x 575	456 x 592 x 575
Internal oven H / W / D (mm)	226 x 420 x 410	227 x 420 x 410	226 x 385 x 410
Packed H / W / D (mm)	550 x 670 x 700	550 x 670 x 700	550 x 660 x 700
Volume (litres)	40	40	40
Net weight (kg)	39	39	39
Gross weight (kg)	43	43	43
<b>CONSUMPTION</b>			
Energy class	n/a	n/a	A-10%
To reach 200°C (kW/h)	n/a	n/a	0.71
Maintain at 200°C (kW/h)	n/a	n/a	0.97
Pyroclean 80 minutes (kW/h)	n/a	n/a	2.93
<b>ELECTRICAL CONNECTION</b>			
Supplied with cable	Yes	Yes	Yes
Total connected load (kW)	3.4	3.4	3.2
Connection	220-240 / 50Hz	220-240 / 50Hz	220-240 / 50Hz
Fuse rating (amps)	16	16	16

# COMPACT OVENS TECHNICAL DRAWINGS

DME1195GX – DOM1195GX/B/W – DOS1195GX/B/W



The Compact range is designed to fit in a 450mm aperture, the overall height of the appliances being 456mm and the control panel sitting 6 mm above the aperture.