

DISHWASHERS

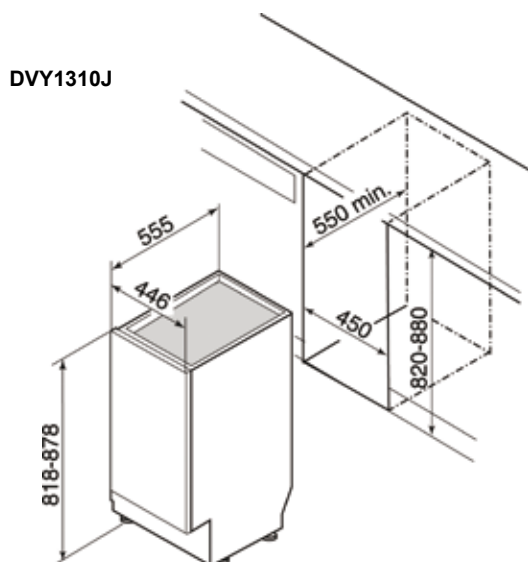
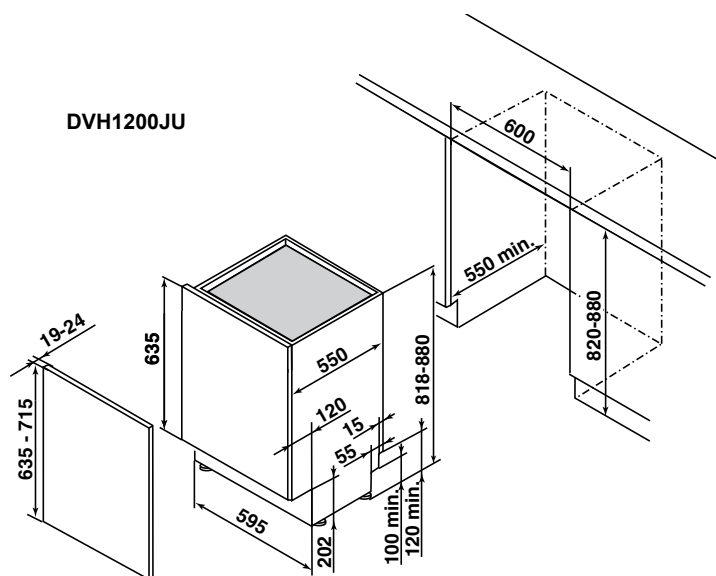
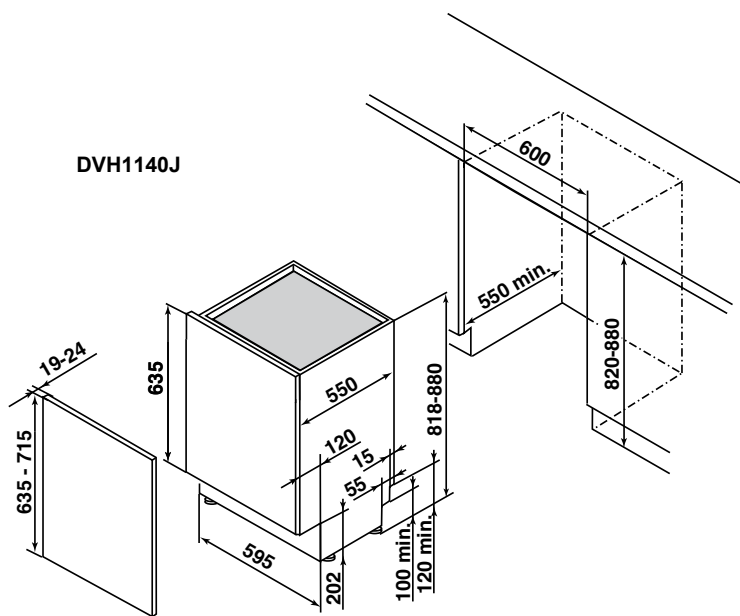
TECHNICAL INFORMATION

MODEL NUMBER	DVH1140J	DVH1200JU	DVY1310J
Place settings	13	13	10
CONTROLS			
Design	Fully integrated	Fully integrated	Fully integrated
Delay start	•	•	•
Programme progress indicator			
Time remaining display	•		•
Salt refill indicator light	•	•	•
Rinse aid refill indicator light	•		•
End of programme signal	•	•	•
Start / stop button	•	•	•
4-in-1 option	•		•
Clock	•		
Touch controls	•		
PROGRAMMES			
Number of wash programmes	9	6	7
Number of temperature settings	7	4	5
Boost	•		
Intensive		•	•
ICS	•		
Normal		•	•
Wash (night)	•		
ECO	•	•	•
Daily 1 HOUR	•		•
Crystal			
Delicate			•
Rapid (quick wash)	•	•	•
Hygienizer	•		
Self clean wash	•		
Soak (prewash)	•	•	
Half load			•
Eolyse®			
Multi-tab adjustment	•		
AQUABLOCK	•		•
AQUASAFE	•	•	•
INTERIOR			
Interior light	•		
Metallic grey baskets	•		
Grey baskets		Light grey	•
ESPACE basket	•		
Upper basket height adjustable	•	•	•
Foldable cup rack	4 •	4 •	•
Foldable plate rack	2	3 (upper)	•
Support rack for wine glasses	2	2	•
Support rack	•		•
Cutlery basket	2		•
Satellite basket	•	•	
Foldable bottom plate rack	•	•	
Easy access handle	•		
Central folding area		•	
Different position for different types of wine glass	•		
Automatic rinse aid dispenser	•	•	•
Automatic detergent dispenser	•	•	•
Anti-overflow	•	•	•
Anti-leak	•	•	•
Anti-pipe burst	•		
Electrical water intake cut off	•		•
Spraying levels	6	3	3
4 level filter	•	•	
Self cleaning micro filter	•	•	•
Stainless steel filter	•	•	•
INSTALLATION FEATURES			
Hot / cold water connection	Either	Either	Cold
Water hardness regulation levels	Yes	Yes	Yes
Adjustable door balance	From front	From front	•
Adjustable height	From front	From front	•
Top & side fixing brackets	Yes	Yes	Yes
ENERGY EFFICIENCY INFORMATION			
Energy efficiency	A++	A+	A+
Electricity consumption per cycle (kWh)*	0.94	1.05	0.84
Wash efficiency	A	A	A
Drying efficiency	A	A	A
Noise level (dBA)	42	49	47
Water consumption per cycle (litres)*	11	13	10.5
Duration / Programme time (minutes)*	145	160	175
Annual water consumption (litres)**	2490	3640	2940
Annual electricity consumption (kWh)**	262	231	238
ELECTRICAL CONNECTION			
Fuse rating (amps)	10	10	10
PRODUCT DIMENSIONS			
Built-in aperture H / W / D (mm)	820-880 x 600 x 570-574	820-880 x 600 x 570-574	820-880 x 450 x 560
Overall H / W / D (mm)	818 x 595 x 574	818 x 595 x 574	820 x 445 x 560
Packed H / W / D (mm)	890 x 675 x 660	890 x 675 x 660	885 x 485 x 650
Net weight (kg)	46	46	38
Gross weight (kg)	50	48	43

* Measured as per EN-50242

** Estimated average based on 280 washes

DISHWASHERS TECHNICAL DRAWINGS



BUILT-IN LAUNDRY TECHNICAL INFORMATION & DRAWINGS

MODEL NUMBER	DLZ714BU	DLZ693BU
	WASHING MACHINE	WASHER DRYER
Wash capacity (kg)	7	6
Dry capacity (kg)		3
Spin speed RPM	1400	1200
Automatic variable capacity	•	•
CONTROLS		
Electronic controls	•	•
LCD display	•	•
Delay timer	•	•
PROGRAMMES		
Normal	30, 40, 60, 90	30, 40, 60, 90
Prewash	•	•
Delicates	30, 40, 60	30, 40
Wool	•	•
Cold wash	•	•
Quick wash (30 minutes)	•	•
Spin-drying	•	•
2 temperature drying		•
FUNCTIONS		
Easy iron	•	•
Intensive wash	•	•
Extra rinse	•	•
OPTIONS		
Prewash	•	•
Rinse & Hold	•	•
Extra rinse		•
SAFETY FEATURES		
Foam Suppression	•	•
Load Balance	•	•
Self cleaning filter		•
DIMENSIONS		
Built-in H / W / D (mm)	880 x 650 x 595	880 x 650 x 595
Packed H / W / D (mm)	75	73
Net weight (kg)	80	80
Gross weight (kg)		
ENERGY EFFICIENCY INFORMATION		
Energy class	A	A
Wash performance	B	B
Spin performance	40	49
Water consumption per cycle washing (litres)	0.79	1.02
Energy consumption per cycle washing (kWh)	n/a	105
Water consumption per cycle washing & drying (litres)	n/a	4.85
Energy consumption per cycle washing & drying (kWh)	8800	21000
Annual water consumption washing (litres)	174	970
Annual energy consumption washing (kWh)		•
Condensor drying		
ELECTRICAL CONNECTION		
Fuse rating (amps)		

