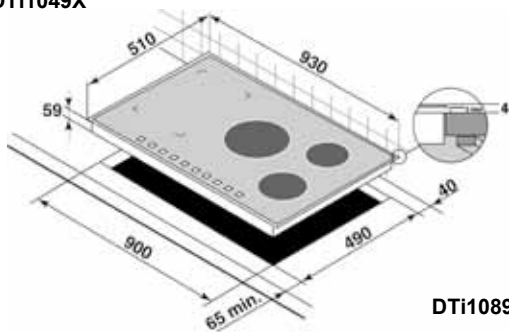


# ZONELESS INDUCTION HOBS

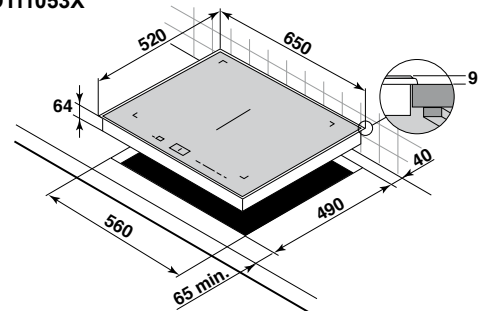
## TECHNICAL INFORMATION & DRAWINGS

MODEL NUMBER	DTi1049X	DTi1089V	DTi1053X
Frame	Stainless trim	Bevelled edge	Stainless trim
Width (cm)	93	93	65
<b>ZONE SPECIFICATIONS</b>			
Induction	4 / 5	3 / 4	2 areas / 1-4 split
Continuum (40 x 23cm)	1 area / 3 zones	1 area / 2 zones	2 areas / 1-4 split
Continuum (40 x 23cm) (kW)	4.6	4.6	4.6 + 4.6
Front right power (kW)	3.2		
Front right width (cm)	23		
Right power (kW)		3.2	
Right width (cm)		23	
Back right power (kW)	2.2		
Back right width (cm)	16		
Centre power (kW)	4.6	2.2	
Centre width (cm)	28	16	
<b>HOB FEATURES</b>			
Number of power levels	15	15	15
Control type	Touch	Touch	Touch
Control position	Front	Front	Front
Programmable direct access (power levels per zone)	4 / 8 / 15	5 / 6 / 13	•
Boost function	•	•	•
Heat up function	•	•	•
Boil up function	•	•	•
Number of timers	5 x 99 minutes	4 x 99 minutes	4 x 99 minutes
Start control function	•	•	•
Preset functions	•	•	•
Elapsed Time	•	•	•
Power Tracker	•	•	•
<b>SAFETY FEATURES</b>			
Residual heat / hob indicators	•	•	•
Child lock	•	•	•
Auto-safety shut off	•	•	•
Anti-overflow	•	•	•
Anti-overheat	•	•	•
Automatic pan detection	•	•	•
Small object detection	•	•	•
Cleaning lock	•	•	•
Control panel lock	•	•	•
Electronic power monitor	•	•	•
<b>DIMENSIONS</b>			
Built-in aperture H / W / D (mm)	59 x 900 x 490	64 x 900 x 410	64 x 560 x 490
Overall H / W / D (mm)	59 x 930 x 510	59 x 930 x 440	59 x 650 x 520
Packed H / W / D (mm)	140 x 1150 x 620	140 x 1140 x 620	140 x 750 x 600
Net weight (kg)	18	18	14
Gross weight (kg)	20	20	15
<b>ELECTRICAL CONNECTION</b>			
Electric power (kW)	11.8	7.2	7.2
Supplied with cable	Yes (2)	Yes	Yes
Electrical connection	220-240 / 50Hz (double)	220-240 / 50Hz	220-240 / 50Hz
Fuse rating (amps)	20 + 32	32	32

DTi1049X



DTi1053X



DTi1089V

