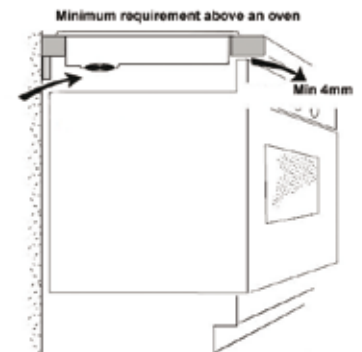
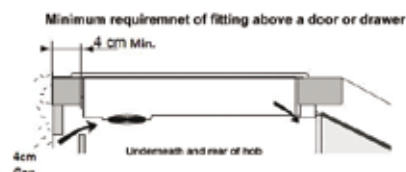
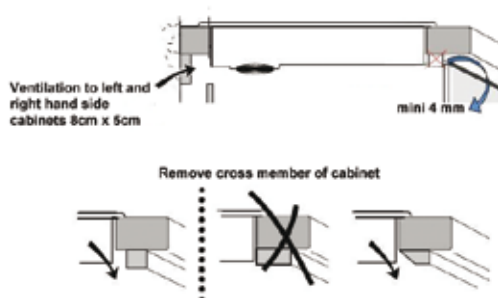


INDUCTION HOBS

TECHNICAL INFORMATION

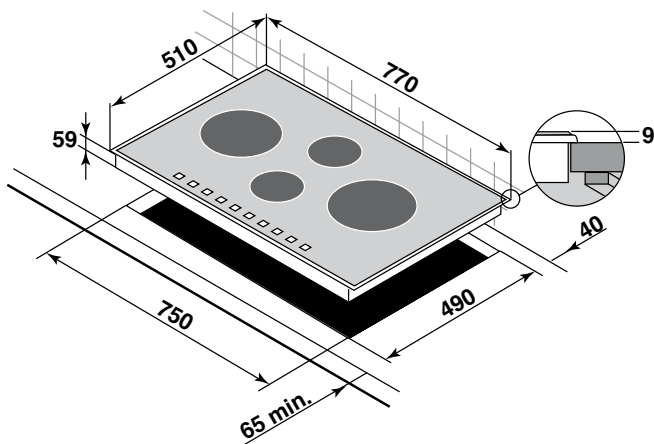
MODEL NUMBER	DTi1008X Induction	DTi1105WE Induction	DTi1200V Induction	DTi1102V Mixed fuel
Frame	Stainless trim	White	Bevelled edge	Bevelled edge
Width (cm)	77	65	58	65
NUMBER OF COOKING ZONES				
Induction	4	4	4	2
Gas				2
ZONE SPECIFICATIONS				
Front right power (kW)		2.2	2.3	2.0
Front right width (cm)		16	18	16
Front left power (kW)		2.8	2.3	3.0
Front left width (cm)		18	21	21
Back right power (kW)		3.2	2.3	Gas (rapid) 3.1
Back right width (cm)		23	18	
Back left power (kW)		2.8	2.0	Gas (semi rapid) 2.0
Back left width (cm)		18	16	
Front centre power (kW)	2.2			
Front centre width (cm)	16			
Back centre power (kW)	2.8			
Back centre width (cm)	18			
Right power (kW)	3.2			
Right width (cm)	23			
Left power (kW)	3.2			
Left width (cm)	23			
HOB FEATURES				
Power levels	15	15	9	9
Direct access levels per zone	4 / 8 / 15	4 / 8 / 15		3 / 9
Boost function	•	•		•
Heat up function	•			
Boil up function	•	•		
Number of timers	4	4	4	2
Start control function	•	•		
Programmable memory	•	•		
Elapsed time		•		
SAFETY FEATURES				
Residual heat / hob indicators	•	•	•	•
Child lock	•	•	•	•
Auto-safety shut off	•	•	•	•
Anti-overflow	•	•	•	•
Anti-overheat	•	•	•	•
Automatic pan detection	•	•	•	•
Small object detection	•	•	•	•
Cleaning lock	•	•	•	•
Control panel lock	•	•	•	•
Electronic power monitor	•	•	•	•
Integrated ignition				•
Gas safety cut off				•
DIMENSIONS				
Built-in aperture H / W / D (mm)	59 x 750 x 490	59 x 560 x 490	59 x 560 x 490	64 x 560 x 490
Overall H / W / D (mm)	59 x 770 x 510	59 x 650 x 520	59 x 580 x 510	99 x 650 x 520
Packed H / W / D (mm)	160 x 945 x 600	140 x 750 x 600	140 x 600 x 750	170 x 860 x 600
Net weight (kg)	15	13.5	14	12
Gross weight (kg)	16	15	15	13
ELECTRICAL CONNECTION				
Electric power (kW)	7.2	7.2	7.2	5.0 (Elec) / 4.6 (Gas)
Supplied with cable	Yes	Yes	Yes	Yes
Electrical connection	220-240 / 50Hz	220-240 / 50Hz	220-240 / 50Hz	220-240 / 50Hz
Fuse rating (amps)	32	32	32	20

INDUCTION HOB VENTILATION INFORMATION

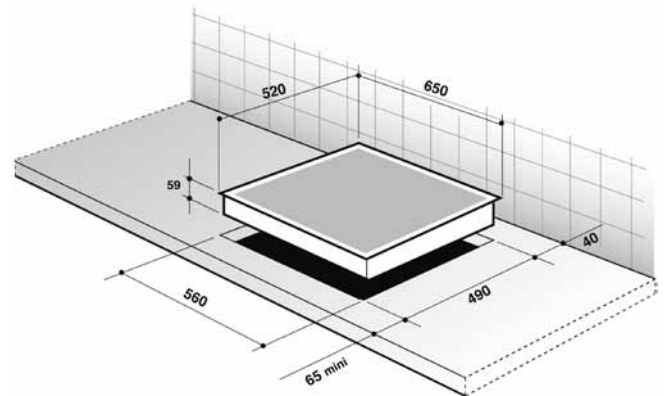


INDUCTION HOBS
TECHNICAL DRAWINGS

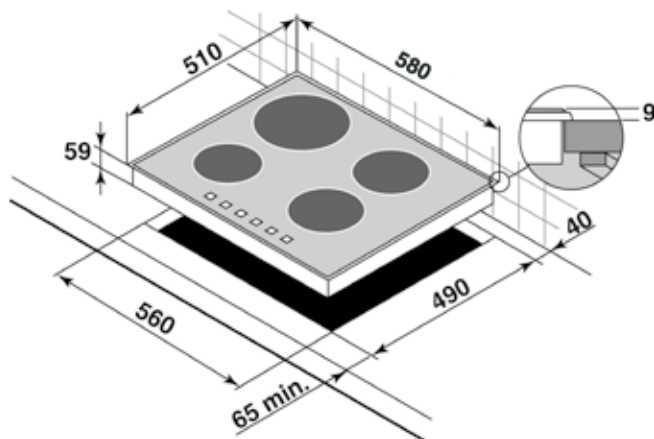
DTi1008X



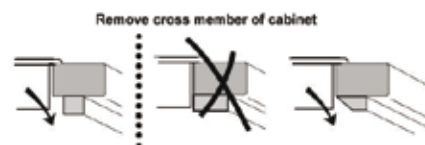
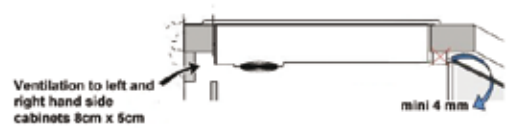
DTi1105WE



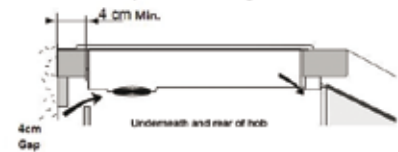
DTi200V



INDUCTION HOB VENTILATION INFORMATION



Minimum requirement of fitting above a door or drawer



DTi1102V

