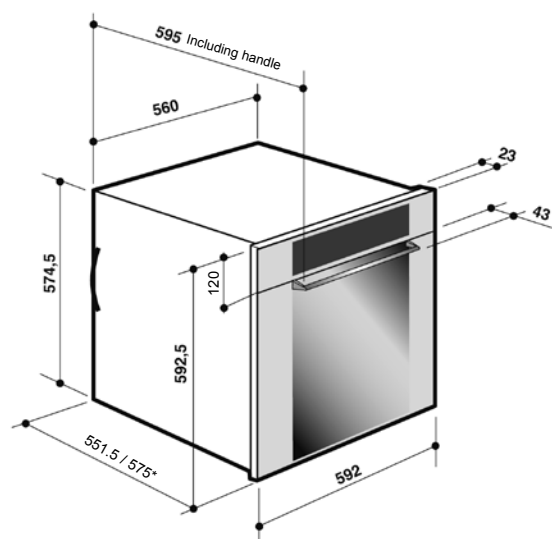


SINGLE OVENS

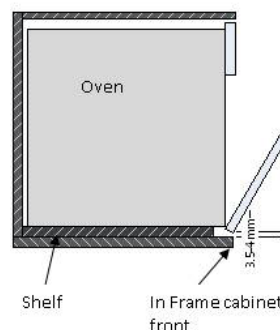
TECHNICAL INFORMATION & DRAWINGS

MODEL NUMBER	DOP1180X/B	DOS1160X	DOP1160X/B	DOP1140X/B
FEATURES & CONTROLS				
ICS programme	16 programmes		14 programmes	
Cooking guide	50 recipes	23 recipes	49 recipes	
Low temperature cooking	10 dishes		9 dishes	
Oven functions	14	14	11	11
Fan cooking	•	•	•	•
Combined heat – pizza setting	•	•	•	•
Conventional cooking	•	•	•	•
Conventional ECO cooking	•			
Turbo grill	•	•	•	•
Full width variable grill	•	•	•	•
Medium grill		•		
Economy grill	•		•	
Turbo grill with steam		•		
Fan cooking with steam		•		
Conventional cooking with steam		•		
Keep warm	•	•	•	•
Bread			•	•
Defrost	•	•	•	•
Pyroclean	•	•	•	•
Memory function	•			
OVEN CLEANING				
Pyroclean Control	•	•	•	
Pyroclean light				•
Pyroclean medium	•	•	•	•
Pyroclean intensive				•
High grade, easy clean enamel interior	•		•	•
Removable door & inner glass panel	•	•	•	•
FEATURES & CONTROLS				
Type of control	Touch controls	Touch controls	Touch controls	Rotary & touch
Interior light (watts)	Halogen 25W	Halogen 25W	Halogen 25W	Halogen 25W
Electronic clock & oven programmer	Electronic	Electronic	Electronic	Electronic
Digital minute minder	•	•	•	•
Display	Animated	Animated	Animated	Digital
Recommended temperatures	•	•	•	•
Recommended cooking level	•	•	•	•
Eolyse® air filter	•	•	•	
SAFETY FEATURES				
Auto-safely shut off	•	•	•	•
Child lock	•	•	•	•
Type of door	Cool door	Cool door	Cool door	Cool door
Number of glass panels	4	4	4	4
Cooling fan	•	•	•	•
EQUIPMENT & ACCESSORIES				
Anti-tip shelves	2	2	2	2
Meat pan with grill rack	•	•	•	•
Full width Lissium baking tray	•	•	•	•
Rotisserie with trivet	•		•	•
DIMENSIONS				
Built-in aperture H / W / D (mm)	590 x 560 x 555	590 x 560 x 555	590 x 560 x 555	590 x 560 x 555
Overall (with handles) H / W / D (mm)	597 x 592 x 597	598 x 592 x 612	597 x 592 x 597	597 x 592 x 597
Internal oven H / W / D (mm)	322 x 420 x 380	322 x 420 x 380	322 x 420 x 380	322 x 420 x 380
Packed H / W / D (mm)	654 x 610 x 660	660 x 650 x 635	654 x 610 x 660	654 x 610 x 660
Volume (litres)	60	60	60	60
Net weight (kg)	36	39	36	36
Gross weight (kg)	39	41	39	39
CONSUMPTION				
Energy class	A-10%	A-10%	A-10%	A-10%
Conventional cooking energy consumption (kWh)	0.79	0.79	0.79	0.79
Fan cooking energy consumption (kWh)	0.71	0.71	0.71	0.71
Time to cook standard load in conventional mode	41.6	41.6	41.6	41.6
Time to cook standard load in fan mode	43.7	43.7	43.7	43.7
Power consumption in stand-by mode (kWh)	0.291	0.29	0.292	0.269
Area of the largest baking sheet (cm ²)	1350	1330	1330	1330
Grill (kW)	3	3	3	3
ELECTRICAL CONNECTION				
Supplied with cable	Yes	Yes	Yes	Yes
Total connected load (kW)	3.57	3.57	3.57	3.57
Connection	220-240 / 50Hz	220-240 / 50Hz	220-240 / 50Hz	220-240 / 50Hz
Fuse rating (amps)	16	16	16	16

DOP1180X/B / DOP1160X/B / DOP1140X/B / DOS1160X/B*



Installing within an "in frame" cabinet



When fitting into an "in-Frame", kitchen please allow 600mm aperture for the appliance with the shelf set 3.5-4mm above the front frame to allow for door opening.