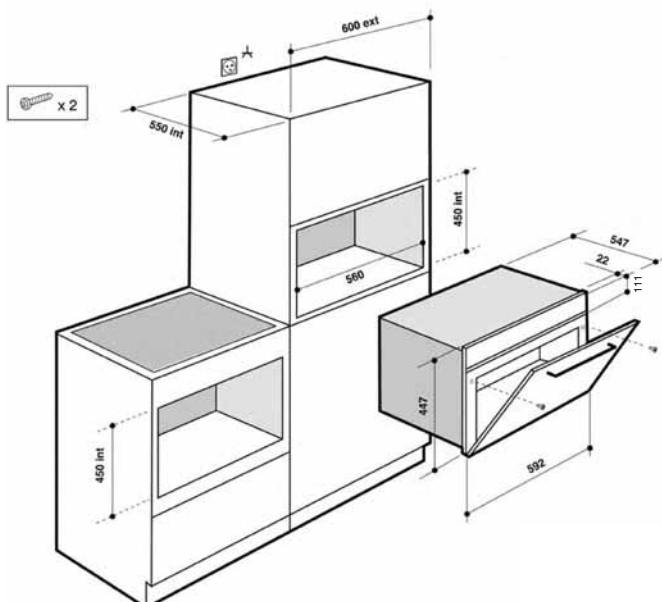


# COMPACT OVENS

## TECHNICAL INFORMATION & DRAWINGS

MODEL NUMBER	DME1145X/B	DOS1180X	DOV1145X/B
Mode of cooking	Multifunction	Multifunction	Steam cooking
Type of cleaning	Manual	Pyroclean	Manual
<b>FEATURES &amp; CONTROLS</b>			
Type of controls	Digital touch control	Digital touch control	Rotary & touch controls
Display	Animated	Animated	Digital
Interior light (watts)	25	25	15
Electronic programmer	•	•	•
Recommended temperature setting	•	•	•
Oven functions	10	14	8
Automatic clock	•	•	•
Electronic minute minder	•	•	•
<b>OVEN</b>			
Type of cavity	High grade enamel	High grade enamel	Stainless steel
Grill (kW)	1.75	1.75	
Fan (kW)	1.6	1.3	
Power of bottom element (kW)		1.2	
Microwave power (kW)	1.0		
Steam generator (kW)		1.2	1.6
Removable door & inner glass panel	•	•	•
<b>SAFETY FEATURES</b>			
Child lock	•	•	•
Type of door	Double glazed	Cool door	Glass
Number of glass panels		4	
Cooling fan	•	•	•
<b>EQUIPMENT &amp; ACCESSORIES</b>			
Shelves	1	2	1
Baking tray		2	
Glass tray	1		
Steel cooking dish			2
<b>DIMENSIONS</b>			
Built-in aperture H / W / D (mm)	450 x 560 x 550	450 x 560 x 550	450 x 560 x 550
Overall (with handles) H / W / D (mm)	456 x 592 x 628	456 x 592 x 628	453 x 592 x 430
Interior H / W / D (mm)	226 x 420 x 410	226 x 385 x 410	185 x 390 x 325
Packed H / W / D (mm)	550 x 660 x 700	550 x 660 x 700	558 x 673 x 571
Volume (litres)	40	40	29
Net weight (kg)	40	36	25
Gross weight (kg)	43	39	27
Supplied without plug	Yes	Yes	Yes
Shelf edging trim			
<b>CONSUMPTION</b>			
Energy class	n/a	A-10%	n/a
<b>ELECTRICAL CONNECTION</b>			
Supplied with cable	Yes	Yes	Yes
Total connected load (kW)	3.4	3.135	1.78
Connection	220-240 / 50Hz	220-240 / 50Hz	220-240 / 50Hz
Fuse rating (amps)	16	16	10

DME1145X/B / DOS1180X / DOV1145X/B



The Compact range is designed to fit in a 450mm aperture, the overall height of the appliances being 456mm and the control panel sitting 6 mm above the aperture.