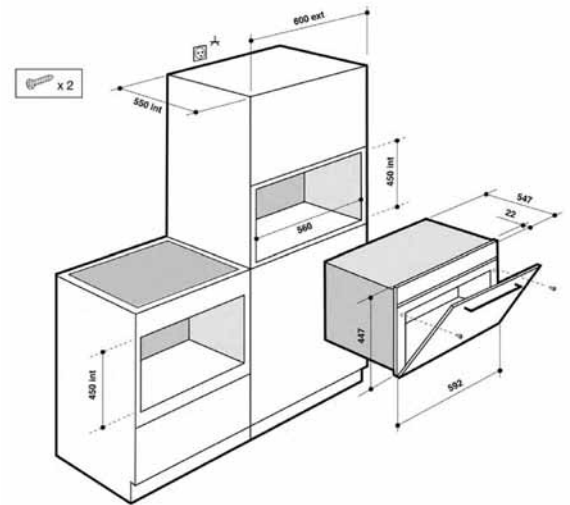


MICROWAVES

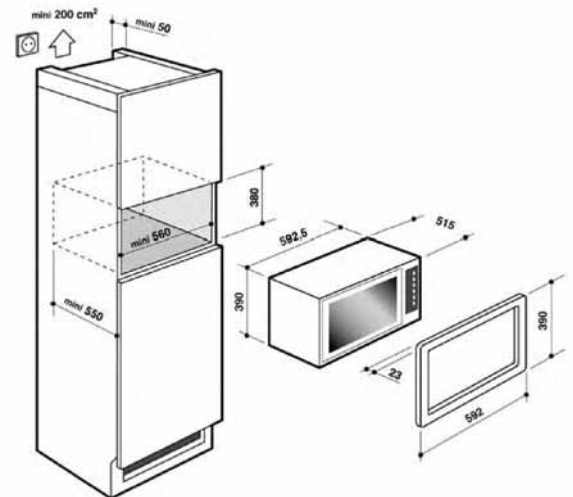
TECHNICAL INFORMATION & DRAWINGS

MODEL NUMBER	DME1145X/B	DME1129X	DME1115X
Microwave	•	•	•
Grill (kW)	•	•	
Fan	•		
Number of preset functions	10	11	
Memory setting		•	•
FEATURES & CONTROLS			
Type of controls	Digital touch control	Rotary & soft touch	Rotary & soft touch
Drop down door	•		
Volume (litres)	40	26	20
Electronic clock	•	•	•
Interior light	•	•	•
Delay timer	•	•	•
Disengagable turntable	•	•	•
Diamond shape diffuser	•	•	•
Number of wave entries	4	4	2
Child lock	•		
PERFORMANCE			
Power (kW)	1	0.9	0.75
Fan (kW)	1.6		
Pull down grill (kW)	1.75	1.2	
Grill power levels	3	3	
Turntable (cm)	36	32	22.5
Maximum size dish (cm)	36	32	28
Interior	High grade enamel	Stainless steel	Stainless steel
EQUIPMENT & ACCESSORIES			
Grill rack		•	
Turntable	•	•	•
Glass tray	•		
Pizza plate		•	
DIMENSIONS			
Built-in aperture H / W / D (mm)	450 x 560 x 550	380 x 560 x 550	360 x 560 x 310
Overall (with handles) H / W / D (mm)	456 x 592 x 628	390 x 592 x 515	370 x 592 x 330
Interior H / W / D (mm)	226 x 420 x 410	210 x 350 x 351	205 x 282 x 285
Packed H / W / D (mm)	550 x 660 x 700	470 x 650 x 500	450 x 660 x 430
Volume (litres)	40	26	20
Net weight (kg)	40	24	21
Gross weight (kg)	43	26	23
ELECTRICAL CONNECTION			
Supplied with cable	Yes	Yes	Yes
Total connected load (kW)	3.4	2.75	1.25
Connection	220-240 / 50Hz	220-240 / 50Hz	220-240 / 50Hz
Fuse rating (amps)	16	13	10

DME1145X/B



DME1129X



DME1115X

