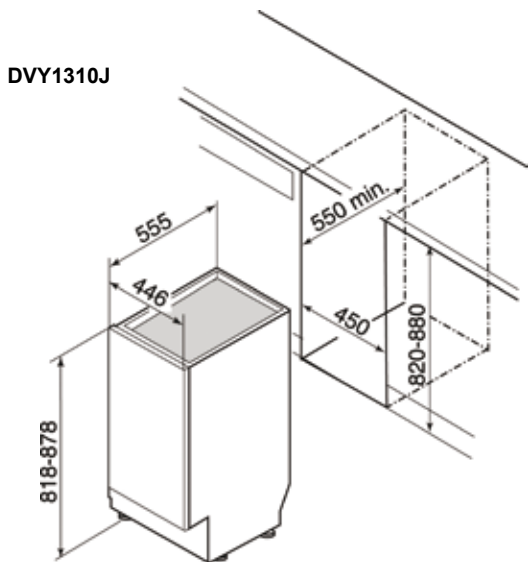
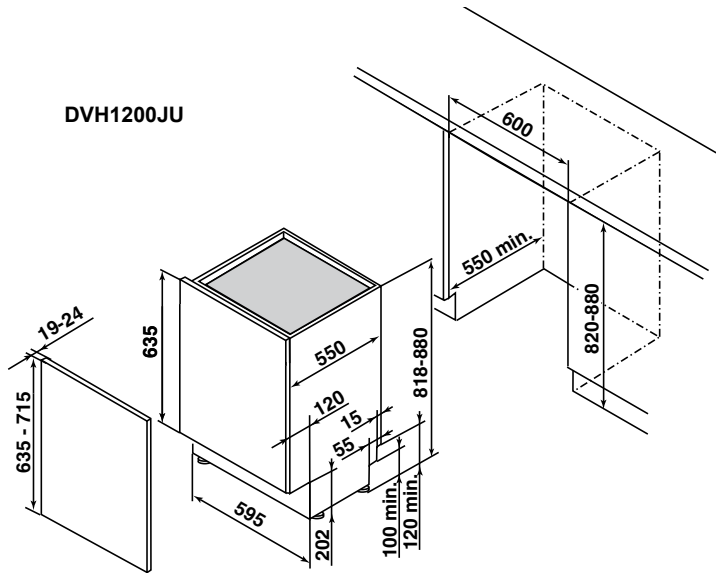
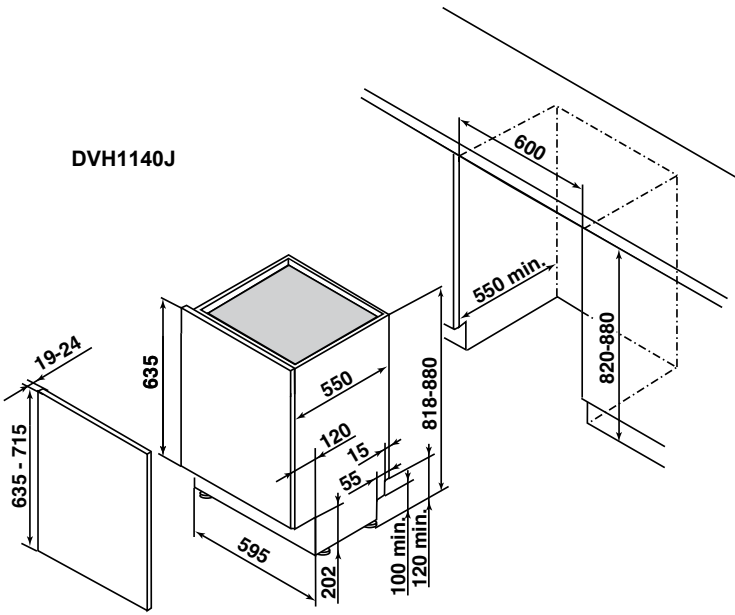


DISHWASHERS TECHNICAL DRAWINGS



BUILT-IN LAUNDRY TECHNICAL INFORMATION & DRAWINGS

MODEL NUMBER	DLZ714BU	DLZ693BU
	WASHING MACHINE	WASHER DRYER
Wash capacity (kg)	7	6
Dry capacity (kg)		3
Spin speed RPM	1400	1200
Automatic variable capacity	•	•
CONTROLS		
Electronic controls	•	•
LCD display	•	•
Delay timer	•	•
PROGRAMMES		
Normal	30, 40, 60, 90	30, 40, 60, 90
Prewash	•	•
Delicates	30, 40, 60	30, 40
Wool	•	•
Cold wash	•	•
Quick wash (30 minutes)	•	•
Spin-drying	•	•
2 temperature drying		•
FUNCTIONS		
Easy iron	•	•
Intensive wash	•	•
Extra rinse	•	•
OPTIONS		
Prewash	•	•
Rinse & Hold	•	•
Extra rinse		•
SAFETY FEATURES		
Foam Suppression	•	•
Load Balance	•	•
Self cleaning filter		•
DIMENSIONS		
Built-in H / W / D (mm)	880 x 650 x 595	880 x 650 x 595
Packed H / W / D (mm)	75	73
Net weight (kg)	80	80
Gross weight (kg)		
ENERGY EFFICIENCY INFORMATION		
Energy class	A	A
Wash performance	B	B
Spin performance	40	49
Water consumption per cycle washing (litres)	0.79	1.02
Energy consumption per cycle washing (kWh)	n/a	105
Water consumption per cycle washing & drying (litres)	n/a	4.85
Energy consumption per cycle washing & drying (kWh)	8800	21000
Annual water consumption washing (litres)	174	970
Annual energy consumption washing (kWh)		•
Condensor drying		
ELECTRICAL CONNECTION		
Fuse rating (amps)		

