

COOLING

TECHNICAL INFORMATION

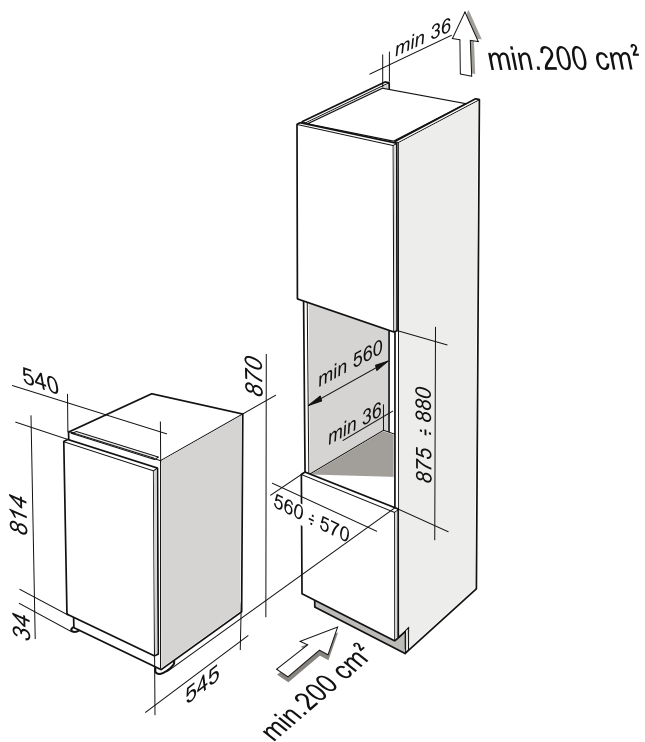
| MODEL NUMBER | DRS1315J | DFS1308J | DRF1313J | DRF1310J | DKA866M |
|--|-------------------------|-------------------------|-----------------------------|--------------------------|---------------------------------|
| | INCOLUMN LARDER FRIDGE | INCOLUMN 4* FREEZER | UNDER COUNTER LARDER FRIDGE | UNDER COUNTER 4* FREEZER | AMERICAN FRIDGE / FREEZER |
| FRIDGE FEATURES | | | | | |
| Defrost | Auto | | Auto | | Auto |
| Anti-bacterial lining | | | | | |
| Temperature control | Mechanical | | Mechanical | | Electronic |
| Interior light | • | | • | | • |
| Auto-fresh | | | | | |
| Dairy compartment with lid | • | | • | | |
| Egg rack | • | | • | | |
| Door balconies | 2 | | 2 | | 4 |
| Door shelves with lids | | | | | • |
| Bottle holder & support | 1 | | 1 | | |
| Bottle rack | | | | | • |
| Cheese / cold meat compartment | 1 | | | | • |
| Glass shelves full depth | 3 | | 3 | | 3 |
| Glass shelves half depth | | | | | |
| Flexible shelf positions | • | | • | | • |
| Vegetable drawer | • | | | | 3 |
| Safety indicator for <4°C | | | | | • |
| Fan cooling | | | | | • |
| Door open alarm | | | | | • |
| Ice maker | | | | | • |
| FREEZER FEATURES | | | | | |
| 4-star freezer | | • | | • | • |
| Frost-free | | | | | • |
| Defrost | | Manual | | Manual | Auto |
| Adjustable thermostat control | | Mechanical | | Mechanical | Electronic |
| Ice cube container | | | | | • |
| Freezer drawers | | 4 | | 3 | 2 |
| Freezer power (kg / 24 hours) | | 10 | | 8 | 10 |
| Rising time (hours) | | 17 | | 17 | 5 |
| Temperature warning light | | | | | • |
| Door compartment | | | | | 4 |
| Ice cream shelf | | | | | • |
| Shelves | | | | | 3 |
| OTHER FEATURES | | | | | |
| Compressors | 1 | 1 | 1 | 1 | 1 |
| Reversible doors | • | • | • | • | n/a |
| Slider & gilder fixing | Door on door | Door on door | Door on door | Door on door | n/a |
| Matching fridge / freezer | DFS1308J | DRS1315JE | DFF1310J | DRF1313J | n/a |
| Fridge freezer split | n/a | n/a | n/a | n/a | 60 / 40 |
| Integrated evaporator | | | • | • | • |
| ENERGY EFFICIENCY INFORMATION | | | | | |
| Climate class* | SN / ST | SN / ST | SN / ST | SN / ST | SN / ST |
| Energy rating | A++ | A++ | A++ | A++ | A+ |
| Electricity consumption (kWh / 24 hours) | 0.26 | 0.57 | 0.25 | 0.39 | 1.16 |
| Electricity consumption (kWh / year) | 95 | 209 | 93 | 143 | 424 |
| Gross volume refrigerator (litres) | 151 | n/a | 144 | n/a | |
| Nett volume refrigerator (litres) | 150 | n/a | 143 | n/a | 334 |
| Gross volume freezer (litres) | n/a | 103 | n/a | 96 | |
| Net volume freezer (litres) | n/a | 86 | n/a | 86 | 170 |
| Total gross volume (litres) | 151 | 103 | 144 | 96 | 594 |
| Total nett volume (litres) | 150 | 86 | 143 | 86 | 504 |
| Noise level dB(A) | 38 | 39 | 40 | 41 | 50 |
| ELECTRICAL CONNECTION | | | | | |
| Total connected load (kW) | 0.5 | 0.6 | 0.7 | 0.9 | 2.2 |
| Connection | 220-240v / 50Hz | 220-240v / 50Hz | 220-230v / 50Hz | 220-230v / 50Hz | 220-240v / 50Hz |
| Fuse rating (amps) | 13 | 13 | 13 | 13 | 13 |
| DIMENSIONS | | | | | |
| Built-in aperture H / W / D (mm) | 875-880 x 560-570 x 560 | 875-880 x 560-570 x 560 | 820-900 x 600 x 550 | 820-890 x 600 x 550 | 1805 x 913 x 707 |
| Overall H / W / D (mm) | 870 x 540 x 545 | 870 x 540 x 545 | 818-898 x 595 x 540 | 818-898 x 595 x 540 | 1790 x 903 x 735 (inc. handles) |
| Packed H / W / D (mm) | 925 x 585 x 630 | 960 x 610 x 620 | 880 x 650 x 600 | 880 x 650 x 600 | 1862 x 1008 x 958 |
| Net weight (kg) | 32 | 33.5 | 37 | 33 | 129 |
| Gross weight (kg) | 33 | 36 | 35 | 35 | 147 |

* Climate class SN: Room temperature between +10°C & + 32°C

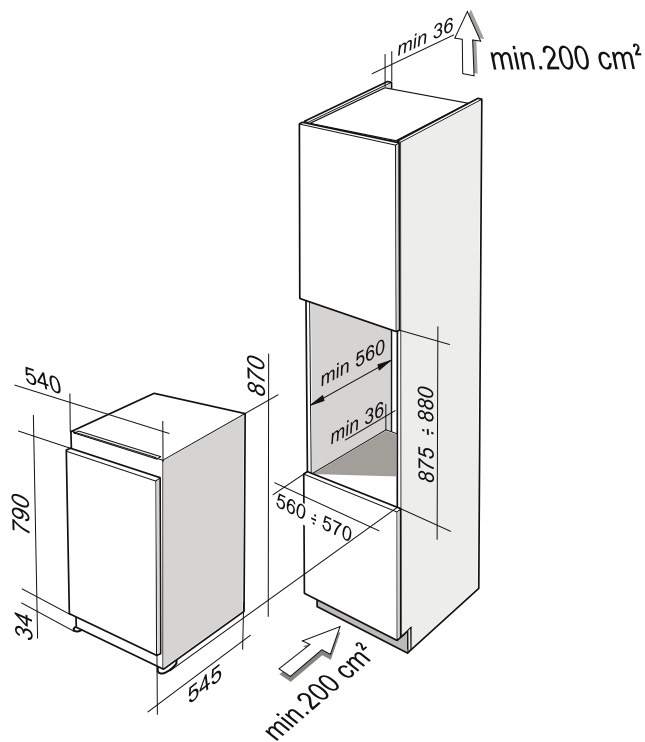
* Climate class ST: Room temperature between +16°C & + 32°C

COOLING
TECHNICAL DRAWINGS

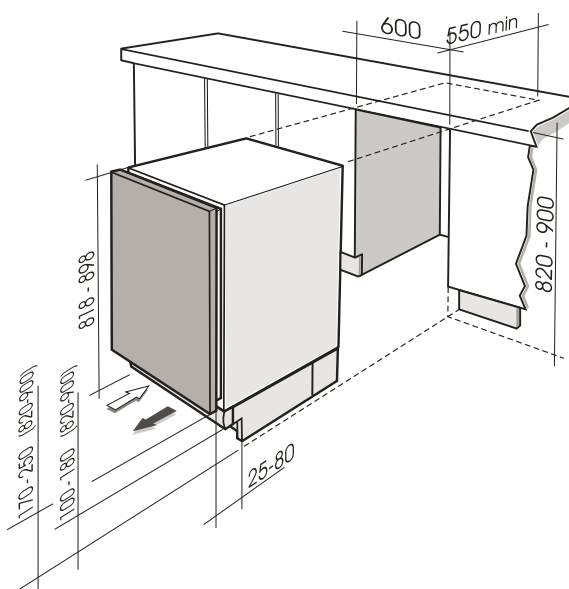
DRS1315J



DFS1308J



DRF1313J / DFF1310J



DKA866M

