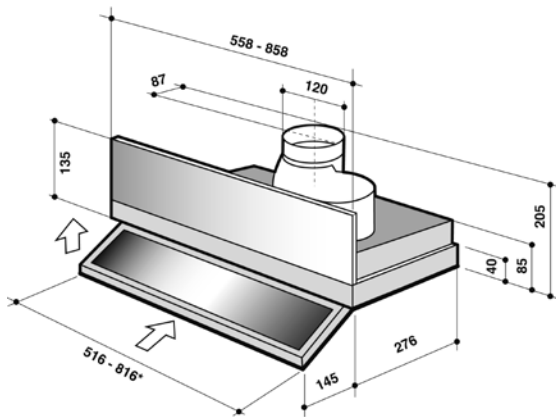


# HOODS

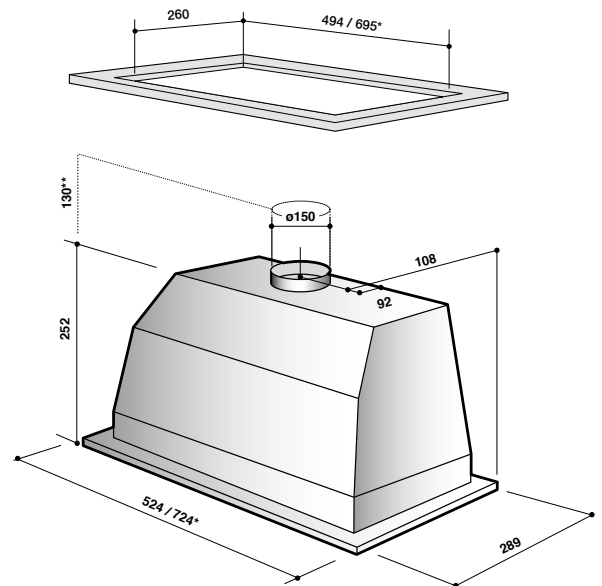
## TECHNICAL INFORMATION

MODEL NUMBER	DHT1119X	DHT1116X	DHG1167X	DHG1166X	DHE1149A	DHE1146A
Hood type	Telescopic	Telescopic	Canopy	Canopy	Integrated	Integrated
MODEL NUMBER						
Number of fans	2	2	1	1	1	1
Control type	Slider	Slider	Electronic	Electronic	Electronic	Electronic
Electronic speed control			•	•	•	•
Extraction & recirculation option	•	•	•	•	•	•
Saturation indicator(s)			•	•	•	•
Metal grease filter(s)	•	•	•	•	•	•
ICS			•	•		
Hob illumination	Halogen x 2	Halogen x 2	Halogen x 2	Halogen x 2	Halogen x 2	Halogen x 2
Carbon filter(s)	•	•	•	•	•	•
Ducting diameter (mm)	120	120	150	150	150	150
PERFORMANCE DATA						
Fan speeds	3	3	4	4	4	3
Extraction rate m <sup>3</sup> /h maximum	430m <sup>3</sup> /h	430m <sup>3</sup> /h	840m <sup>3</sup> /h	840m <sup>3</sup> /h	830m <sup>3</sup> /h	830m <sup>3</sup> /h
Noise dB(A) level 1	54dB	54dB	49dB	49dB	43dB	43dB
INSTALLATION						
Minimum height from gas hobs (mm)	750	750	750	750	750	750
Minimum height from electric hobs (mm)	650	650	650	650	650	650
Minimum height from induction hobs (mm)	400	400	400	400	400	400
DIMENSIONS						
Maximum height (mm)	207	207	252	252	450	450
Minimum height (mm)						
Width (mm)	858	558	724	524	898	598
Depth (mm)	276	276	289	289	265	265
Packed H x W x D (mm)	380 x 960 x 280	380 x 660 x 280	780 x 350 x 350	350 x 650 x 350	390 x 995 x 620	410 x 700 x 300
Net weight (kg)	10	8.1	6.7	6.2	12	14
Gross weight (kg)	11.5	9	7.7	7.2	15	16
ACCESSORIES						
Carbon filters	AK207AE1	AK207AE1	AFC-200	AFC-200	AH4066F1	AH4066F1
ELECTRICAL CONNECTION						
Connection	220-240V / 50Hz	220-240V / 50Hz	220-240V / 50Hz	230V / 50-60Hz	220-240V / 50-60Hz	220-240V / 50-60Hz
Fuse rating (amps)	13	13	13	13	13	13

DHT1119X\* / DHT1116X



DHG1167X\* / DHG1166



\*\*Adaptor for extraction mode allow height 130mm

DHE1149A\* / DHE1146A

