

FR GUIDE D'UTILISATION  
EN GUIDE TO INSTALLATION  
ES MANUAL DE UTILIZACIÓN  
PT GUIA DE UTILIZAÇÃO  
DE BETRIEBSANLEITUNG

Hotte décorative  
Decorative Hood  
Campana extractora decorativa  
Exaustor decorativo  
Dekor-Dunstabzugshaube

**De Dietrich** 





*Dear valued customer,*

*To discover a De Dietrich product is to experience the range of unique emotions which only high-value items can produce.*

*The attraction is immediate, from the moment you set eyes on the product. The sheer quality of the design shines through thanks to the timeless style and outstanding finishes which make each appliance an elegant and refined little masterpiece in its own right, each in perfect harmony with the others.*

*Next, comes the irresistible urge to touch it. De Dietrich's design makes extensive use of robust and prestigious materials. The accent is placed firmly upon authenticity.*

*By combining state-of-the-art technology with top quality materials, De Dietrich produces beautifully crafted products to help you get the most from the culinary arts, a passion shared by all lovers of cooking and fine food.*

*We hope that you enjoy using this new appliance and we would love to receive your suggestions and to answer any questions you may have. Please feel free to contact our customer service department via our website.*

*To benefit from the many advantages offered by the brand, we recommend that you register your product at: [www.de-dietrich.com](http://www.de-dietrich.com).*

*Thank you for choosing a De Dietrich product.*

*De Dietrich*

*You can find a full range of information about the brand at [www.de-dietrich.com](http://www.de-dietrich.com)*

*Visit the De Dietrich Gallery, 6 rue de la Pépinière (Paris eighth district)*

*Open from Tuesday to Saturday from 10 am to 7 pm*

*Customer service department: 0892 02 88 04*

**1 / NOTICES TO THE USER**

- Safety recommendations ..... 42
- Environmental protection ..... 43
- Description of your appliance ..... 44

**2 / INSTALLING YOUR APPLIANCE**

- Using the evacuation mode ..... 45
- Using the recycling mode ..... 45
- Electrical connections ..... 46
- Assembling the hood ..... 47
- Assembling the ventilation shaft
  - Outdoor evacuation ..... 48
  - Recycling ..... 49

**3 / USING YOUR APPLIANCE**

- Description of control panel ..... 50

**4 / CARING FOR AND CLEANING YOUR APPLIANCE**

- Cleaning the filter cartridges ..... 54
- Changing the carbon filter ..... 54
- Cleaning the outer surfaces ..... 54
- Changing the light bulb ..... 54
- Maintaining your appliance ..... 55

**5 / TROUBLESHOOTING ..... 56**

**6 / AFTER-SALES SERVICE ..... 56**

*As part of our commitment to constantly improving our products, we reserve the right to make changes to them based on technical advances to their technical and functional features and appearance*



**Warning:**

***Before installing and using your appliance, please carefully read this Guide to Installation and Use, which will allow you to quickly familiarise yourself with its operation.***

**Attention**

**Keep this user guide with your appliance. If the appliance is ever sold or transferred to another person, ensure that the new owner receives the user guide. Please become familiar with these recommendations before installing and using your appliance. They were written for your safety and the safety of others.**

- **SAFETY RECOMMENDATIONS**

- This oven was designed for use by private persons in their homes.
- This appliance is not designed to be used by people (including children) with reduced physical, sensorial or mental capacity or people lacking in experience or knowledge, except if they have the benefit, through the intermediary of a person responsible for their safety, of preliminary supervision or instruction concerning the use of the appliance. It is advisable to supervise children to make sure that they do not treat the appliance as a toy.
- When you receive the appliance, unpack or have it unpacked immediately. Give it an overall general inspection. Make note of any concerns or reservations on the delivery slip and make sure to keep a copy of this form.
- Your appliance is intended for standard household use. Do not use it for commercial or industrial purposes or for any other purpose than that for which it was designed.
- Do not modify or attempt to modify any of the characteristics of this appliance. This would be dangerous to your safety.
- Repairs must only be carried out by an approved specialist.
- Always unplug the hood before cleaning it or performing other maintenance acts.
- Provide adequate ventilation for the room in the case of simultaneous use of the hood and other appliances powered by an energy source other than electricity. This will prevent the hood from aspirating the combustion gases.

- You should never "flambé" dishes under the hood or operate gas rings under the hood without placing cookware on them (the flames sucked up into the hood can damage the appliance).
- When frying food under the appliance, you must carefully monitor the preparation at all times. Oils and grease brought to very high temperatures can catch fire.
- Respect the recommended frequency of cleaning and filter replacements. The accumulation of grease deposits may cause a fire.
- The hood should never be used over a combustible fuel burning stove (wood, coal, etc.).
- Never use steam or high-pressure devices to clean your appliance (requirement imposed by electrical safety).
- With a view to constantly improving our products, we reserve the right to modify their technical, functional or aesthetic characteristics, making any changes to their features considered necessary or desirable in view of technical progress.
- In order to easily locate the reference information for your appliance, we recommend that you note these data on the "After-Sales Service Department and Customer Relation

**Warning**

**In the case of a kitchen heated by a device connected to a chimney (a stove, for example) the "recycling" version of the hood should be installed. Do not use the hood without metal filters. Suitable ventilation should be provided in the room when the hood is used at the same time as appliances operated by gas or another combustible fuel.**

**• ENVIRONMENTAL PROTECTION**

– This appliance's packaging material is recyclable. Help recycle it and protect the environment by dropping it off in the municipal receptacles provided for this purpose.

– Your appliance also contains a great amount of recyclable material. It is marked with this label to indicate the used appliances that should not be mixed with other waste. This way, the appliance recycling organised by your manufacturer will be done under the best possible conditions, in compliance with European Directive 2002/96/EC on Waste Electrical and Electronic Equipment. Contact your town hall or your retailer for the used appliance collection points closest to your home.



– We thank you doing your part to protect the environment.

**Warning**

*Installation should only be performed by installers and qualified technicians.*

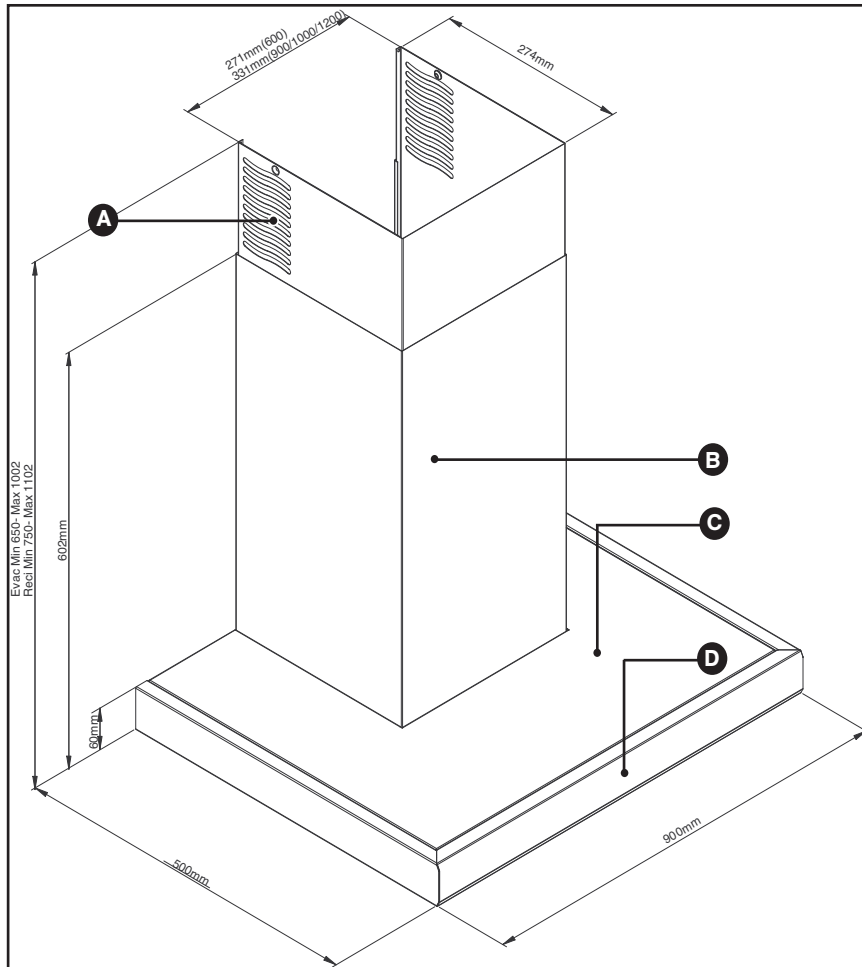
**Warning**

*Remove the protective film from the filter cartridge before use.*

**Important**

*The accessible parts of this appliance may become hot if it is used with a cooking appliance.*

• DESCRIPTION OF YOUR APPLIANCE



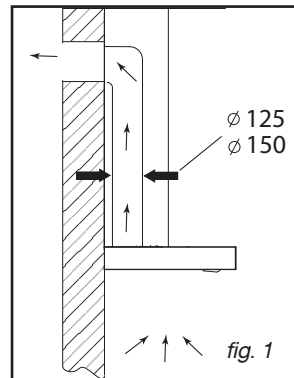
- A** Vents
- B** Ventilation shaft
- C** Top surface
- D** Control panel

- The appliance must be unplugged during installation or when any repair or maintenance work is being performed.
- Ensure that the network voltage corresponds to the voltage noted on the identification plate located inside the hood.
- If the electrical installation at your residence requires any changes in order to hook up your Appliance, call upon a professional electrician.
- If the hood is being used in evacuation mode, do not connect the appliance to a combustion gas exhaust duct (boiler, chimney, etc.) or to a CMV (controlled mechanical ventilation) system.
- Under no circumstances should the exhaust duct empty into the attic.
- Install the hood at a safe distance of at least 70 cm from an electric, gas or combined cooking hob.

### • USING THE EVACUATION MODE

*If you possess an outlet to the exterior  
(fig. 1)*

Your hood can be connected to this outlet using a flue (minimum diameter 125 mm that is enamelled, in aluminium, flexible or made of inflammable material). If your flue is less than 125 mm in diameter, **you must use the recycling mode.**



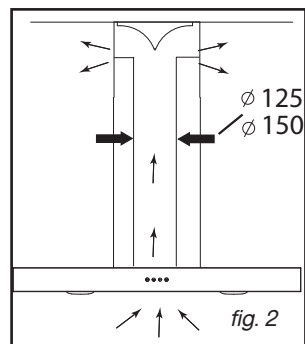
### • USING THE RECYCLING MODE

*If you do not possess an outlet to the exterior  
(fig. 2)*

All of our appliances can be used in recycling mode.

In this case, you should add an active carbon filter which will keep in odours.

(See Chapter 4: Changing the carbon filter.)



## • ELECTRICAL CONNECTIONS

During installation and maintenance operations, the appliance must be unplugged from the electrical grid; fuses must be cut off or removed.

Carry out the electrical connection after assembly and mounting are completed.

Ensure that:

- the electrical installation has sufficient voltage,
- the electrical wires are in good condition,
- the diameter of the wires complies with the installation requirements.



### **Warning**

*This appliance is delivered with a H 05 VVF power cord that has three-0.75 mm<sup>2</sup> conductors (neutral, phase and ground). It must be connected to the main power supply (which should be a 220-240 V single phase current) via a CEI 60083 standardised socket that should remain accessible after installation, in keeping with installation guidelines.*

*We cannot be held responsible for any accident resulting from an inexistent, defective or incorrect ground lead. The fuse for your installation must be 10 or 16A. If the power cable is damaged, call the after-sales service department in order to avoid danger.*



### **Warning**

*If the electrical installation at your residence requires any changes in order to hook up your appliance, call upon a professional electrician.*



### **Warning**

*If the hood displays any malfunctions, unplug the appliance or remove the fuse corresponding to the electrical socket where your appliance is plugged in.*



## • ASSEMBLING THE HOOD



### Warning

The hood must be installed in compliance with all applicable regulations concerning the ventilation of premises. In France these regulations are described in DTU 61.1 from the CSTB. In particular, the evacuated air should never be conveyed to a duct used to evacuate smoke from appliances that use gas or other combustible fuels. Unused ducts may only be used after approval from a competent specialist.

The minimum distance between the cooking surface and the lowest part of the hood must be 70 cm. If the instructions for the hob installed under the hood specify a distance of more than 70 cm, this requirement must be respected.

– Draw a horizontal line 70 cm minimum from the cooker top (A/fig. 1).

– Draw a vertical line (B/fig. 1) on the wall that is centred over the cooker top and that extends from the horizontal line drawn in the previous step (A) to the ceiling.

– Place the drilling template (C/fig. 1) on the wall. In the case of a hollow wall, use suitable wall plugs and screws.

– Drill the two holes. Insert the 2 wall plugs.

– Screw the fastening bar to the wall (C/fig. 2), with the 2 screws (D/fig. 2)

– Hang the suction hood by its hooks (E/fig. 2).

– Adjust the height and level by moving the clamping screws (E/fig. 2) of the supports (the top screw for horizontal fit and the bottom screw for fitting to the wall).

– Fit the anti-lifting screw (D/fig. 1)

– Remove the adhesive tape from the component unit (F/fig. 3).

– Lift the unit around 2 cm then release it. Give it a quarter turn then slide it and fasten it using 2 screws above the motor (fig. 3).

**Warning: do not damage the cables while rotating and fastening.**

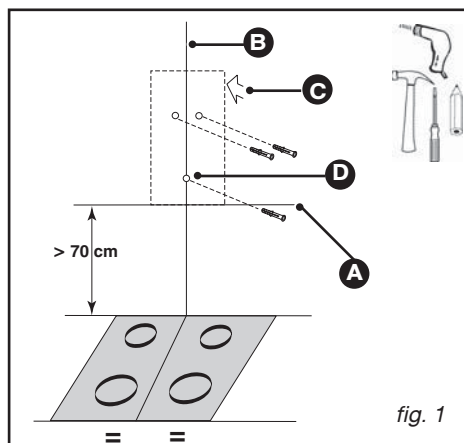


fig. 1

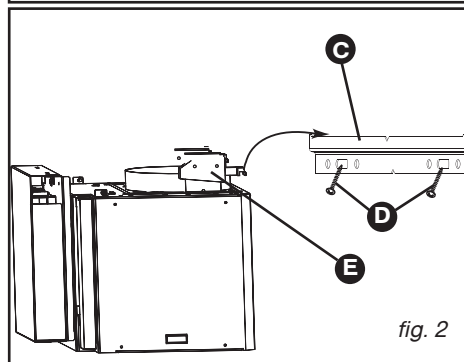


fig. 2

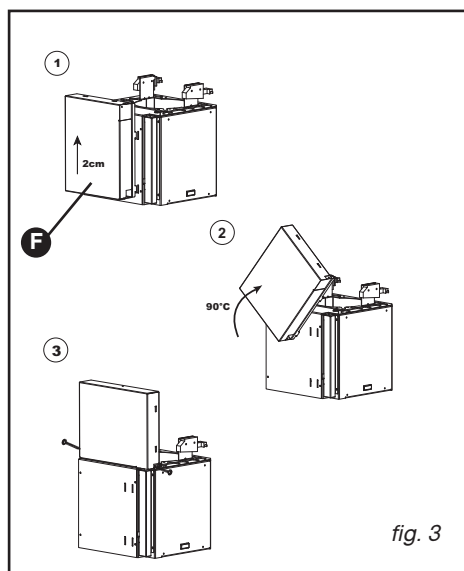


fig. 3

• **ASSEMBLING THE VENTILATION SHAFT**

• **Outdoor evacuation**

– Using the two screws (fig. 1), attach the metal chimney bracket against the wall, flush with the ceiling for support.

– Mount the back-flow valve near the motor outlet (fig. 2). This back-flow valve makes it possible to block the entry of air from the outside.

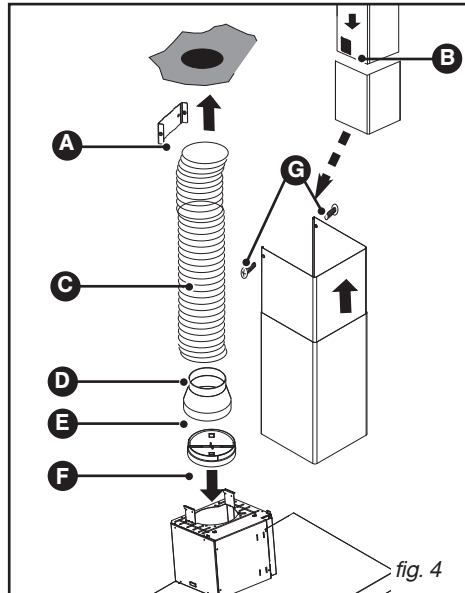
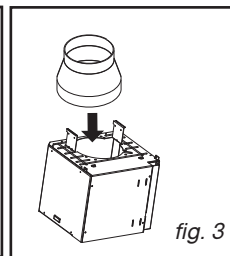
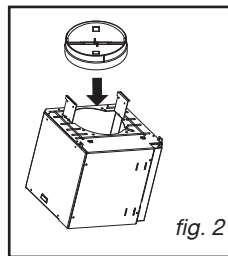
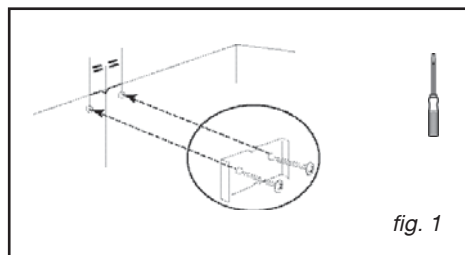
– If a 125 mm flue is being installed, use the adapter provided (fig. 3). If the diameter of your exterior flue is less than 125 mm, you must connect your hood in recycling mode.

– Slide the end of the flue over the motor outlet (fig. 4).

– Prepare your telescoping ventilation shaft, taking care not to block the vents (B/fig. 4). Fit the chimney to the hood and lift the upper portion to adjust the height and then screw it (G/fig.4) on the metal chimney bracket (A/fig. 4).



**Tip**  
For optimal use of your appliance, we recommend that you connect the hood to a 150 mm-diameter flue (not delivered with the appliance). Minimise the number of angles and bends and the lengths of the flue. In the event that the hood will be operated using outdoor evacuation, you should ensure a sufficient inflow of fresh air to avoid a pressure deficiency in the room.



- A** Chimney bracket
- B** Telescoping ventilation shaft
- C** Flue
- D** Adapter
- E** Back-flow valve
- F** Motor outlet
- G** Chimney holding screw

• **Recycling**

- Remove the back-flow valve (fig. 1).
- Using the two screws (fig. 2), attach the plastic smoke deflector against the wall, flush with the ceiling for support. Be careful to centre the deflector in relation to the vertical line drawn on the wall (fig. 2).

For models up to 700 mm, add the 2 struts supplied in the pocket (A/fig. 2)

- Slide one end of the flue over the deflector and the other end over the motor outlet (fig. 3).
- Prepare your ventilation shaft, taking care to face the vents upward so that they are visible (B/fig. 3).
- Attach the assembled chimney (C/fig. 3) to the hood and lift the upper portion to adjust the height, then screw it to the smoke deflector (A/fig. 3) using the two screws (F/fig. 3).

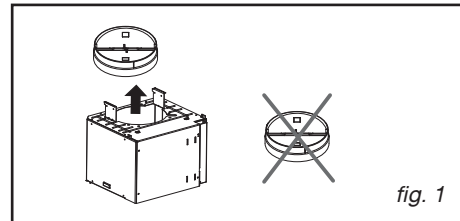


fig. 1

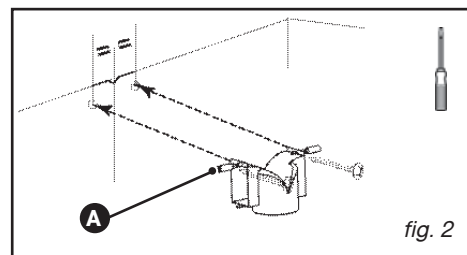


fig. 2

- A** Smoke deflector
- B** Vents
- C** Telescoping ventilation shaft
- D** Flue
- E** Motor bracket
- F** Chimney holding screw

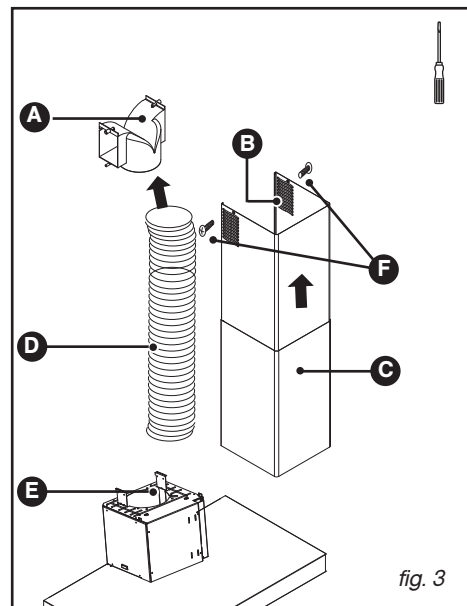


fig. 3

• **DESCRIPTION OF THE CONTROLS (\*Depending on model)**



Start/stop

Speed 2

Speed 3

Boost

Delay

Light

Eolyse

ICS Automatic mode \*

• **AUTOMATIC MODE (depending on model)**

This type of hood has a smart capability. Fitted with sensors, it switches on automatically when it detects heat or steam and adjusts the suction speed accordingly. Once all smoke has been removed, the hood switches itself off.

**Selection of the hob type in automatic mode \***

To select your hob type, the hood should be switched off.



Press ICS briefly (less than 2 sec), to enter automatic mode.

Give a long press on ICS to enter configuration mode; the ICS button flashes.

Press to select an induction hob; flashes.

Press to select a ceramic hob; flashes.

Press to select a gas hob; flashes.

To confirm the setting, press ICS briefly or wait 10 seconds.

**Note**

*This installation and user guide covers several models. There may be minor differences between the details and fittings on your appliance and the description provided.*

You have the option of adjusting your hood's reaction in automatic mode.



Having confirmed the hob type and with the ICS button flashing slowly, you can adjust the sensitivity,

- press **2<sup>||</sup>** briefly for minimum sensitivity. **2<sup>||</sup>** flashes.
- press **3<sup>|||</sup>** briefly for medium sensitivity. **3<sup>|||</sup>** flashes.
- press **BOOST<sup>|||</sup>** briefly for maximum sensitivity. **BOOST<sup>|||</sup>** flashes.

Your configuration is automatically confirmed after 10 sec. or after a short press on ICS.

### Switching to automatic mode

Press ICS briefly. (ICS flashes). Automatic mode is on standby).

The hood starts when it detects heat. The ICS button lights.

The hood stops after 40 seconds or 10 minutes, depending on the amount of heat.

### Stopping the hood in automatic mode

You are in the automatic mode and you want to stop the hood.

Press ICS.

### • SWITCHING ON THE HOOD IN MANUAL MODE.



Pressing the ① button starts the hood in speed 1 (the display ① is illuminated).

### • CHANGING THE SPEED

Once the hood has started, you can modify the suction speed by pressing **2<sup>||</sup>** for speed 2 (**2<sup>||</sup>** lights) or **3<sup>|||</sup>** for speed 3 (**3<sup>|||</sup>** lights).

The **BOOST<sup>|||</sup>** function allows your hood to remain at maximum speed 4 for 10 minutes, before switching back to speed 2.

### • SWITCHING OFF THE HOOD



A long press on the ① button turns the hood off.

• **DELAYED STOP**



At the end of cooking, you can use the 10 button to turn the hood off. This function will ensure that suction continues for a further 10 minutes at the selected speed. 10 flashes and the power indicator is illuminated.

To cancel the delayed stop, press the same button and the delay function will be deactivated.

• **LIGHT**



Press the light button briefly to switch the hood's halogen light on or off.

Pressing and holding the light button will change the intensity.

• **EOLYSE FUNCTION (depending on model)**



A short press of the fan button starts the hood running silently at a reduced speed for one hour. The fan button is lit and the 10 indicator flashes.

At the end of this time, the hood stops on its own. To stop the function, press fan once more.

**Programming the Eolyse function**

A long press on the fan button activates programming.

The fan button flashes alternately with the 10 button, indicating the start of programming.

Each short press on the 10 button increases the eolysis time by one hour (from 1 hour to a maximum of 9 hours) and after 9, this display goes back to 1. The hood will run silently at a reduced speed for the selected time. The fan button flashes alternately with the 10 button (the number of successive flashes is the number of hours selected).

Programming is confirmed automatically after 25 seconds or by a short press on fan. (The fan button flashes alternately with the 10 button).

Programming is confirmed by pressing the fan button; press it a second time to cancel.

• **EVACUATION / RECYCLE MODE**



A long press (more than 2 sec) on the 2<sup>nd</sup> and 3<sup>rd</sup> buttons allows you to select Evacuation or Recycle mode. The 2<sup>nd</sup> and 3<sup>rd</sup> buttons are lit and the ① or Boost button flashes.

A short press on ① selects recycle mode (the ① button flashes and the Boost button is off).

A short press on Boost selects evacuation mode (the Boost button flashes and the ① button is off).

A short press on 10s confirms the configuration (or automatic set after 10 sec). The hood's default mode is evacuation.

• **FILTER CARTRIDGE SATURATED**



The ① button flashes (1 short flash) for 2 minutes after the hood stops to signal that the cartridge filters must be cleaned (see section "Cleaning the cartridge filter").

Give a long press (more than 2 sec) on ① to unlock the "saturation" function.

• **CHARCOAL FILTER SATURATED (Optional filter)**



The ① button flashes (2 short flashes) for 2 minutes after the hood stops, to signal that the charcoal filters must be cleaned (see section "Changing the charcoal filter").

Give a long press (more than 2 sec) on ① to unlock the "saturation" function.

• **FAN AUTO STOP**

If you forget to turn the hood off, it will turn itself off automatically after 9 hours.

• **LIGHT AUTO STOP**

If you forget to turn off the light on your hood, it will turn itself off automatically after 9 hours.



**Warning**

Always unplug the hood before cleaning it or performing other maintenance acts. Regular maintenance of your appliance is a guarantee of proper functioning, good performance and durability.



**Warning**

Failure to respect the guidelines for cleaning the appliance and filters may cause fires. Please carefully adhere to the maintenance recommendations.

• **CLEANING THE FILTER CARTRIDGES**

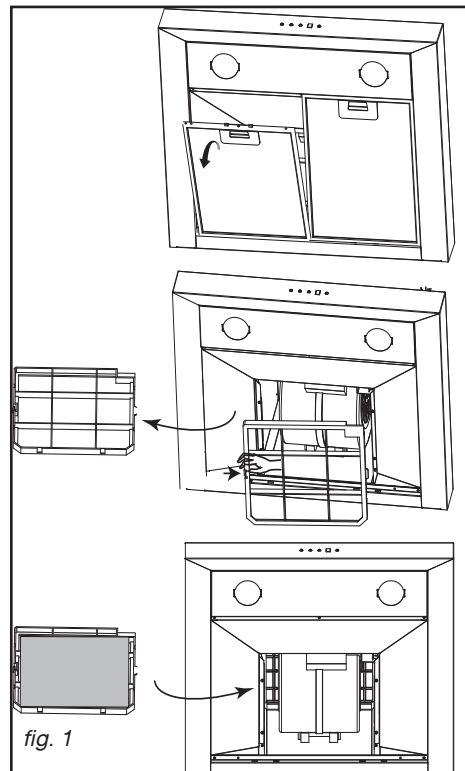
They must be cleaned after approximately 30 hours of use or at least once a month. Rinse and dry them thoroughly before returning them to the hood.

• **Dismantling the filter cartridge (fig. 1)**

- Replace it after approximately 120 hours of use.
- Remove the filter cartridge by unclipping it (fig. 1).

• **CHANGING THE CARBON FILTER (depending on model)**

- Replace it after approximately 120 hours of use.
- Remove the filter cartridge by unclipping it (fig. 1).



• **CLEANING THE OUTER SURFACES**

To clean the outside of your hood, use soapy water, but do not use abrasive creams or scrubbing sponges.

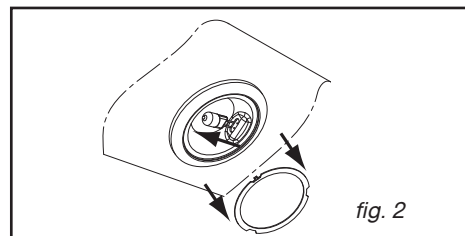
• **CHANGING THE LIGHT BULB**

**Model with halogen bulb**

- Remove the lighting port (fig. 2).
- Change the G4-20W-12V halogen bulb.
- Replace the bulb by repeating these steps in reverse order.

**Model with LED bulb**

- Contact after-sales service





**Warning**

*Before carrying out any work, the power supply to the hood must be turned off, either by unplugging it or by using the circuit breaker switch.*

- **MAINTAINING YOUR APPLIANCE**

MAINTENANCE TO USE	WHAT TO DO	PRODUCTS/ACCESSORIES
Top surface and accessories	<b>Never use metal scouring pads, abrasive products or excessively stiff brushes.</b>	To clean the body and the lighting port, you should use only commercial household cleaning products diluted in water and then rinse using clean water, drying with a soft cloth.
Filter cartridge	This filter traps fatty vapours and dust. This component plays an important role in ensuring the effectiveness of your hood. In the event of tough stains, use a non-abrasive cream, then rinse with clean water.	Use a commercial household cleaning product then rinse abundantly and dry.
Activated carbon filter (Depending on model or optional)	This filter traps odours and must be changed at least once a year depending on your level of use. You should order these filters from your dealer and note the date the filter was changed.	

To preserve your appliance, we recommend that you use Clearit cleaning products.



*Professional expertise serving individuals*

Clearit offers you professional products and solutions designed for the daily care of your household appliances and kitchens.

They are on sale at your regular retailer, along with a complete line of accessories and consumable products.

## EN 5 / TROUBLESHOOTING

SYMPTOMS	SOLUTIONS
The hood is not working...	Ensure that: <ul style="list-style-type: none"> <li>• The power is not cut off.</li> <li>• A speed has been selected.</li> </ul>
The hood is not operating effectively...	Ensure that: <ul style="list-style-type: none"> <li>• The selected motor speed is sufficient for the quantity of smoke and vapours to be cleared.</li> <li>• The kitchen is sufficiently ventilated to allow for fresh air intake.</li> <li>• The carbon filter is not worn (hood operating in recycling mode).</li> </ul>
The hood stopped working	Ensure that: <ul style="list-style-type: none"> <li>• The power is not cut off.</li> <li>• The single-pole cut-off device was not activated.</li> </ul>

## EN 6 / AFTER-SALES SERVICE

Any maintenance on your equipment should be undertaken by a qualified mechanic who is an authorised agent for the brand appliances. When making an appointment, state the full reference of your equipment (model, type and serial number). This information appears on the manufacturer's nameplate attached to your equipment (Fig. 1).

