

De Dietrich



DHG1167X

COOKER HOOD

Dear valued customer,

To discover a De Dietrich product is to experience the range of unique emotions which only high-value items can produce.

The attraction is immediate, from the moment you set eyes on the product. The sheer quality of the design shines through thanks to the timeless style and outstanding finishes which make each appliance an elegant and refined little masterpiece in its own right, each in perfect harmony with the others.

Next, comes the irresistible urge to touch it. De Dietrich's design makes extensive use of robust and prestigious materials. The accent is placed firmly upon authenticity.

By combining state-of-the-art technology with top quality materials, De Dietrich produces beautifully crafted products to help you get the most from the culinary arts, a passion shared by all lovers of cooking and fine food.

We hope that you enjoy using this new appliance and we would love to receive your suggestions and to answer any questions you may have. Please feel free to contact our customer service department via our website.

To benefit from the many advantages offered by the brand, we recommend that you register your product at: www.de-dietrich.com.

Thank you for choosing a De Dietrich product.

De Dietrich

You can find a full range of information about the brand at www.de-dietrich.com

Visit the De Dietrich Gallery, 6 rue de la Pépinière (Paris eighth district)

Open from Tuesday to Saturday from 10 am to 7 pm

Customer service department: 0892 02 88 04

www.dedietrich-electromenager.com

As part of our commitment to constantly improving our products, we reserve the right to make changes to them based on advances to their technical, functional and/or aesthetic properties.

 Important:

Before installing and using your appliance, please read this Installation and Usage Guide carefully, as it will allow you to quickly familiarise yourself with its operation.

Contents

EN - Instruction on mounting and use	50
Use	50
Description of the hood	50
Caution	50
Installation	51
Electrical connection	51
Mounting.....	51
Operation	52
Maintenance	54
Cleaning	54
Grease filter.....	54
Charcoal filter (filter version only).....	54
Replacing lamps.....	55
Troubleshooting	55
After-sales service	55

EN - Instruction on mounting and use

Closely follow the instructions set out in this manual. All responsibility, for any eventual inconveniences, damages or fires caused by not complying with the instructions in this manual, is declined. The extractor hood has been designed exclusively for domestic use.

- ! It is important to conserve this booklet for consultation at any moment. In the case of sale, cession or move, make sure it is together with the product.
- ! Read the instructions carefully: there is important information about installation, use and safety.
- ! Do not carry out electrical or mechanical variations on the product or on the discharge conduits.

Note: the elements marked with the symbol "(*)" are optional accessories supplied only with some models or elements to purchase, not supplied.

Use

The hood is conceived for the suction of cooking fumes and steam and is destined only for domestic use.

The hood is designed to be used either for exhausting or filter version.

The models with no suction motor only operate in ducting mode, and must be connected to an external suction device (not supplied).

The connecting instructions are supplied with the peripheral suction unit.



Ducting version

In this case the fumes are conveyed outside of the building by means of a special pipe connected with the connection ring located on top of the hood.

Attention! The exhausting pipe is not supplied and must be purchased apart.

Diameter of the exhausting pipe must be equal to that of the connection ring.

In the horizontal runs the exhausting pipe must be slightly slanted (about 10°) and directed upwards to vent the air easily from the room to the outside.

Attention! If the hood is supplied with active charcoal filter, then it must be removed.

Connect the hood and discharge holes on the walls with a diameter equivalent to the air outlet (connection flange).

- ! Use a duct of the minimum indispensable length.
- ! Use a duct with as few elbows as possible (maximum elbow angle: 90°).
- ! Avoid drastic changes in the duct cross-section.
- ! Use a duct with an as smooth as possible inside.
- ! The duct must be made of certified material.

Attention! If the hood is supplied with carbon filter, then it must be removed.



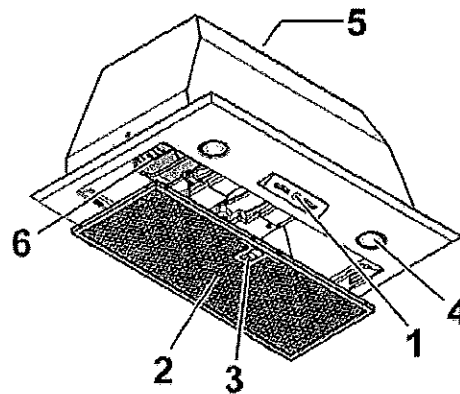
Filter version

One active charcoal filter is needed for this and can be obtained from your usual retailer.

The filter removes the grease and smells from the extracted air before sending it back into the room through the upper outlet grid.

Attention! If the hood is not supplied with carbon filter, then it must be ordered and mounted.

Description of the hood



1. Control panel
2. Grease filter
3. Grease filter release handle
4. Halogen lamp
5. Air outlet
6. Charcoal filter

Filter version only - 2 filters, fitted at the sides of the motor unit.



Caution

Keep this use manual with your apparatus. If the apparatus has to be sold or ceded to someone else, make sure that this manual is also sent.

Read this manual carefully before installing or using your apparatus because it contains important information for your safety and for whoever installs or uses it.

This apparatus has been created to be installed in a kitchen and for normal domestic use.

Do not use it for commercial or industrial purposes or other purposes for which it was not created.

Do not modify or try to modify the characteristics of this apparatus. It would be dangerous for you.

Using over a fuel (wood, carbon) cooking top is not authorised.

If the filtering hood is installed in a kitchen heated by an apparatus connected to a fireplace (e.g. a stove), the filtering version of the hood must be installed. Do not use the hood without fat filters.

Do not use steam or pressure cleaning equipment on your apparatus (for reasons of electrical safety).

WARNING! Do not connect the appliance to the mains until

the installation is fully complete.

Before any cleaning or maintenance operation, disconnect hood from the mains by removing the plug or disconnecting the mains electrical supply.

Always wear work gloves for all installation and maintenance operations.

The appliance is not intended for use by children or persons with impaired physical, sensorial or mental faculties, or if lacking in experience or knowledge, unless they are under supervision or have been trained in the use of the appliance by a person responsible for their safety.

This appliance is designed to be operated by adults, children should be monitored to ensure that they do not play with the appliance.

This appliance is designed to be operated by adults. Children should not be allowed to tamper with the controls or play with the appliance.

Never use the hood without effectively mounted grating!

The hood must NEVER be used as a support surface unless specifically indicated.

The premises where the appliance is installed must be sufficiently ventilated, when the kitchen hood is used together with other gas combustion devices or other fuels.

The ducting system for this appliance must not be connected to any existing ventilation system which is being used for any other purpose such as discharging exhaust fumes from appliances burning gas or other fuels.

The flaming of foods beneath the hood itself is severely prohibited.

The use of exposed flames is detrimental to the filters and may cause a fire risk, and must therefore be avoided in all circumstances.

Any frying must be done with care in order to make sure that the oil does not overheat and ignite.

Accessible parts of the hood may become hot when used with cooking appliance.

With regards to the technical and safety measures to be adopted for fume discharging it is important to closely follow the regulations provided by the local authorities.

The hood must be regularly cleaned on both the inside and outside (AT LEAST ONCE A MONTH).

This must be completed in accordance with the maintenance instructions provided in this manual. Failure to follow the instructions provided in this user guide regarding the cleaning of the hood and filters will lead to the risk of fires.

Do not use or leave the hood without the lamp correctly mounted due to the possible risk of electric shocks.

We will not accept any responsibility for any faults, damage or fires caused to the appliance as a result of the non-observance of the instructions included in this manual.

Installation

The minimum distance between the supporting surface for the cooking equipment on the hob and the lowest part of the range hood must be not less than 60cm from electric cookers and 65cm from gas or mixed cookers.

If the instructions for installation for the gas hob specify a greater distance, this must be adhered to.



Electrical connection

The mains power supply must correspond to the rating indicated on the plate situated inside the hood. If provided with a plug connect the hood to a socket in compliance with current regulations and positioned in an accessible area, after installation. If it not fitted with a plug (direct mains connection) or if the plug is not located in an accessible area, after installation, apply a double pole switch in accordance with standards which assures the complete disconnection of the mains under conditions relating to over-current category III, in accordance with installation instructions.

Warning! Before re-connecting the hood circuit to the mains supply and checking the efficient function, always check that the mains cable is correctly assembled.

Mounting

Before beginning installation:

- Check that the product purchased is of a suitable size for the chosen installation area.
- Remove the charcoal (*) filter/s if supplied (see also relative paragraph). This/these is/are to be mounted only if you want to use the hood in the filtering version.
- Check (for transport reasons) that there is no other supplied material inside the hood (e.g. packets with screws (*), guarantees (*), etc.), eventually removing them and keeping them.
- If possible, disconnect and move freestanding or slide-in range from cabinet opening to provide easier access to rear wall/ceiling. Otherwise put a thick, protective covering over countertop, cooktop or range to protect from damage and debris. Select a flat surface for assembling the unit. Cover that surface with a protective covering and place all canopy hood parts and hardware in it.
- In addition check whether near the installation area of the hood (in the area accessible also with the hood mounted) an electric socket is available and it is possible to connect a fumes discharge device to the outside (only suction version).
- Carry out all the masonry work necessary (e.g. installation of an electric socket and/or a hole for the passage of the discharge tube).

Expansion wall plugs are provided to secure the hood to most types of walls/ceilings. However, a qualified technician must verify suitability of the materials in accordance with the type of wall/ceiling. The wall/ceiling must be strong enough to take the weight of the hood. **Do not tile, grout or silicone this appliance to the wall. Surface mounting only.**

This hood is designed for fitting in a cabinet or on some other support.

The numerical series of instructions given below refers to the drawings you will find on the first pages of this manual, containing the respective numbering.

1. Remove the grease filler (1 or 2 depending on the model).
2. Remove the frame.
3. Install the flange on the exhaust hole.

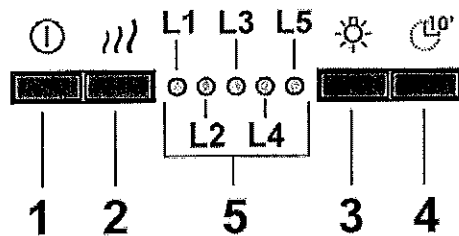
4. Prepare the wall unit where the hood will be installed.
5. Fix the exhaust pipe to the flange and then insert the hood into the wall unit so that pipe and electric cable come out of the wall unit ceiling.
Fix the hood to the bottom of the wall unit with 8 screws.
Ducting version only: the exhaust pipe must be run to the outside.
Filter version only: cut the pipe to measure so that the air is exhausted on the wall unit ceiling.
6. **Ducting version only:** remove the charcoal filters.
7. Reinstall the frame making sure it is hooked to the hood.
8. Reinstall the grease filter.

Connect to the electrical system and check the proper functioning of the hood.

Operation

Use the high suction speed in cases of concentrated kitchen vapours. It is recommended that the cooker hood suction is switched on for 5 minutes prior to cooking and to leave in operation during cooking and for another 15 minutes approximately after terminating cooking.

DHG1136X - DHG1137X Models



- 1 **ON/OFF motor**
Pressing the button, the hood turns on at speed 1.
Pressing the button during functioning, the hood turns OFF.
- 2 **Speed Increase**
Pressing the button the hood passes from the OFF state to speed 1.
Pressing the button (hood in ON state) the motor speed is increased from speed 1 to intensive.
To each speed corresponds the ignition of the respective led.
Speed 1 led L1
Speed 2 led L2
Speed 3 led L3
Intensive Speed led L4 (flashing)
The intensive speed is timed. The standard timing is 5', at the end of which the hood positions itself to speed 2.
To deactivate the function before the time expires press key 2, the hood positions itself to speed 1, pressing key 1 the hood will turn off.
- 3 **ON/OFF lights**
- 4 **Speed timing**
- 5 **Function state indicator**

Speed Timing

The timing of the speed is enabled by pressing key 4, once the timing expires the hood turns off.

The timing is subdivided as follows:

- Speed 1 - 20 minutes (led L1 flashing)
- Speed 2 - 15 minutes (led L2 flashing)
- Speed 3 - 10 minutes (led L3 flashing)
- Intensive Speed - 5 minutes (led L4 flashing)

During the timed functioning pressing key 1 the hood turns off, if you press key 2 or key 4 the hood returns to the set speed.

Grease trap Signal

After 40 hours of operation the led L5 turns on.

When such signal appears the installed grease trap needs to be washed.

To reset the signal hold down key 1 for 3".

Carbon filter Signal

After 160 hours of operation the led L5 flashes.

When such signal appears the installed carbon filter must be substituted.

To reset the signal hold down key 1 for 3".

In the case of both filters signalling at the same time, the led L5 will indicate the alarms alternately remaining on for 3" and subsequently flashing 3 times.

The reset takes place by carrying out the procedure described above 2 times.

The first time resets the grease trap signal, the second resets the carbon filter signal.

In the standard mode the carbon filter signal is not active.

In case one uses the hood in filter version is it necessary to enable the carbon filter signal.

Carbon filter signal activation:

Position the hood in OFF and simultaneously hold down keys 1 and 4 for 3".

The led L1 and L2 will flash for 5".

Carbon filter signal deactivation:

Position the hood in OFF and simultaneously hold down keys 1 and 4 for 3".

The led L1 will flash for 2".

Temperature Alarm

The hood is equipped with a temperature sensor that activates the motor to speed 3 in the case that the temperature in the control zone becomes too elevated.

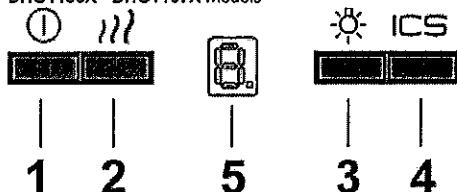
The alarm condition is indicated with the sequential flash of the leds L1, L2, L3.

This condition remains until the temperature falls below the alarm threshold.

You can get out of this mode by pressing key 1 or 2.

Every 30" the sensor checks the environmental temperature of the display zone.

DHG1166X - DHG1167X Models



1 ON/OFF Motor

By pressing the push-button the cooker hood is started at speed 1.

By pressing the push-button during working the cooker hood turns OFF.

2 Speed increase / Speed timing

By pressing the push-button the cooker hood turns ON to speed 1.

By pressing the push-button (while ON) the speed changes as follows:

Speed 1: "1" appears on display

Speed 2: "2" appears on display

Speed 3: "3" appears on display

Intensive speed: "3" flashes on display

The intensive speed is timed. The standard timing is 5' and at the end of it the cooker hood passes to speed 2.

To deactivate the function before the cycle is finished, press the push-button 2, the cooker hood will pass to speed 1, by pressing the push-button 1 the cooker hood will turn OFF.

3 ON/OFF lights

4 ON/OFF sensor

5 Display

6 Sensor

Speed timing

The speed timing is activated by pressing the push-button 2 for 2", when the timing cycle is finished the cooker hood will turn off.

The timing is subdivided as follows:

Speed 1, 20 minutes ("1" + a flashing dot appears on display)

Speed 2, 15 minutes ("2" + a flashing dot appears on display)

Speed 3, 10 minutes ("3" + a flashing dot appears on display)

Intensive speed, 5 minutes ("4" + a flashing dot appears on display)

During the timed working, by pressing the push-button 1, the cooker hood turns OFF; if you press the push-button 2 the cooker hood will return to the set speed, if you press the push-button 4 the cooker hood will pass to COOKING Mode.

Grease filter signalling

After a total of 80 working hours number "1" starts to flash on display.

When this signal appears, the installed grease filter needs washing.

To reset the signal keep the push-button 1 pressed for 3" until number "1" disappear from display.

Carefull read and follow the Maintenance instruction of the filter.

Charcoal filter signalling

After a total of 320 working hours number "2" starts to flash on display.

When this signal appears, the installed charcoal filter needs to be cleaned or replaced (according the model you own).

To reset the signal keep the push-button 1 pressed for 3" until number "1" disappear from display.

Carefull read and follow the Maintenance instruction of the filter.

In case of contemporaneous signalling of both filters, numbers "1" and "2" will flash on display alternatively.

To reset, carry out the above described procedure twice.

The first time it resets the grease filter signalling, the second time it resets the charcoal filter signalling.

In the standard mode the carbon filter signalling is not active.

In case the filter version cooker hood is used, it is necessary to activate the carbon filter signalling.

Carbon filter signalling activation:

Turn OFF the hood and keep the push-buttons 2 and 3 pressed contemporaneously for 3".

Numbers "1" and "2" will flash alternatively on display for 2".

Carbon filter signalling deactivation:

Turn OFF the hood and keep the push-buttons 2 and 3 pressed contemporaneously for 3".

Number "1" will flashes on display for 2".

Automatic function

The system is set by default in **manual mode**, to activate automatic mode press push-button 4.

The system envisages the automatic function in two modes:

- **COOKING Mode** that guarantees the correct suction of fumes during cooking.

- **AIR QUALITY CONTROL Mode** that is a monitoring system that guarantees a high level of air quality.

The 2 modes are activated cyclically pressing push-button 4.

COOKING Mode: letter "C" appears on display.

During cooking the system reacts promptly to increases in Steam/Fumes and remains in the speed established for at least a minute before returning to the lower speed/switches off.

When cooking is finished and the environmental parameters have returned to the levels preceding cooking, the system turns itself off.

The system turns the hood off after 30 minutes if the parameters are close to the stand-by condition.

AIR QUALITY CONTROL Mode: letter "A" appears on display.

The system reacts promptly to increases in Steam/Fumes and remains in the speed established for at least a minute before returning to the lower speed/switches off.

When the effect of the Steam/Fumes ends and the environmental parameters have returned to the levels

preceding the start, the system turns itself off.
You can exit from this mode by pressing push-buttons 1, 2 and 4.

Test of sensors

It constantly occurs during the automatic functioning. In case of failure numbers "8" appears on display (contact the technical assistance); however, the cooker hood can be used in manual mode.

Manual calibration

Turn **OFF** the hood and keep the push-buttons "1" and "4" pressed contemporaneously for 3".
A little dot starts flashing on display.

It is recommended to carry out this operation:
when the cooker hood is installed for the first time
when the current is cut off for many hours or days
when there is a very quick variation of the temperature in the kitchen.

Selection of the hob

This operation optimizes the automatic functioning of the cooker hood, proceed as follows:

Turn **OFF** the hood.

Keep the push-buttons 1 and 3 pressed contemporaneously for 3" until the hob in use is displayed, according the following letters shown on display:

"g": Gas Hob

"i": Induction Hob

"e": Electric Hob

The cyclical selection of the hob is obtained by pressing the push-button 1

The acceptance of the selected hob is displayed through the sequence of 3 flashings of the letter related to the selected hob.

Once the hob is selected, wait for 10" to accept the function.

The hob set by default is the Gas hob.

Temperature Alarm

The hood is equipped with a temperature sensor which activates the motor at speed 3 in case the temperature in the display zone is too high.

The alarm condition is indicated by the display with the letter "t" flashing.

This condition remains as such until the temperature falls below the alarm threshold.

This mode can be quit by pressing key "2".

Every 30" the sensor checks the ambient temperature of the display zone.

Maintenance

ATTENTION! Before performing any maintenance operation, isolate the hood from the electrical supply by switching off at the connector and removing the connector fuse.

Or if the appliance has been connected through a plug and socket, then the plug must be removed from the socket.

Cleaning

The cooker hood should be cleaned regularly (at least with the same frequency with which you carry out maintenance of the fat filters) internally and externally. Clean using the cloth dampened with neutral liquid detergent. Do not use abrasive products. **DO NOT USE ALCOHOL!**

WARNING: Failure to carry out the basic cleaning recommendations of the cooker hood and replacement of the filters may cause fire risks.

Therefore, we recommend observing these instructions.

The manufacturer declines all responsibility for any damage to the motor or any fire damage linked to inappropriate maintenance or failure to observe the above safety recommendations.

Grease filter

Fig. 1-8

Traps cooking grease particles.

This must be cleaned once a month (or when the filter saturation indication system – if envisaged on the model in possession – indicates this necessity) using non aggressive detergents, either by hand or in the dishwasher, which must be set to a low temperature and a short cycle.

When washed in a dishwasher, the grease filter may discolour slightly, but this does not affect its filtering capacity.

Charcoal filter (filter version only)

Fig. 6

It absorbs unpleasant odours caused by cooking.

The saturation of the charcoal filter occurs after more or less prolonged use, depending on the type of cooking and the regularity of cleaning of the grease filter.

In any case it is necessary to replace the cartridge at least every four months (or when the filter saturation indication system – if envisaged on the model in possession – indicates this necessity). The charcoal filter may NOT be washed or regenerated.

CLEANING AND UPKEEP OF YOUR APPLIANCE

To keep your appliance in good working order, we recommend that you use Clearit household products.



*Professional expertise for the
general public*

Clearit offers you professional products and adapted solutions for the daily upkeep of your household and kitchen appliances.

You may find them in conventional retail outlets, along with a complete line of by-products and consumables.

Replacing lamps - Fig. 9


Disconnect the hood from the electricity.

Warning! Prior to touching the light bulbs ensure they are cooled down. Replace with a new 12 Volt, 20 Watt (Maximum) Ø50mm halogen light made for a GU5.3 base SUITABLE FOR USE IN OPEN LUMINAIRES. Follow package directions and do not touch new light with bare hands.

If the lights do not work, make sure that the lamps are fitted properly into their housings before you call for technical assistance.

This appliance is marked according to the European directive 2002/96/EC on Waste Electrical and Electronic Equipment (WEEE). By ensuring this product is disposed of correctly, you will help prevent potential negative consequences for the environment and human health, which could otherwise be caused by inappropriate waste handling of this product.



The symbol  on the product, or on the documents accompanying the product, indicates that this appliance may not be treated as household waste. Instead it should be taken to the appropriate collection point for the recycling of electrical and electronic equipment. Disposal must be carried out in accordance with local environmental regulations for waste disposal. For further detailed information regarding the process, collection and recycling of this product, please contact the appropriate department of your local authorities or the local department for household waste or the shop where you purchased this product.

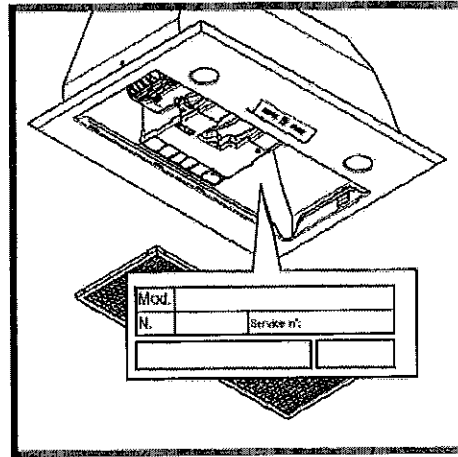
After-sales service

Any maintenance on your equipment should be undertaken by:

- either your dealer,
- or another qualified mechanic who is an authorized agent for the brand appliances.

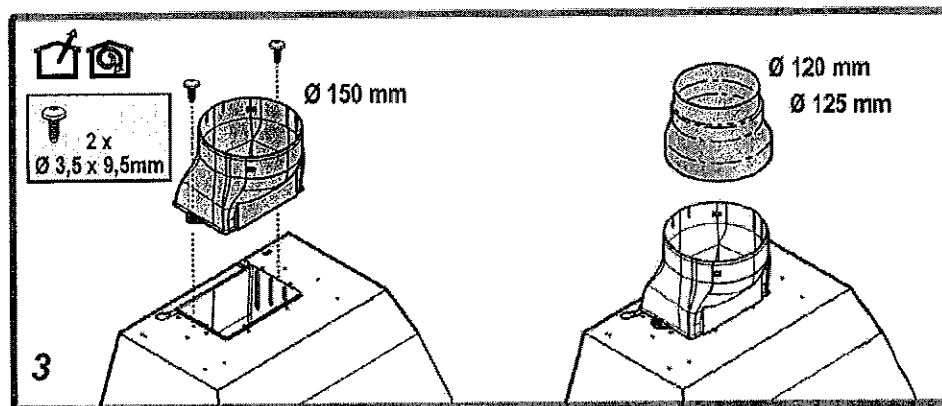
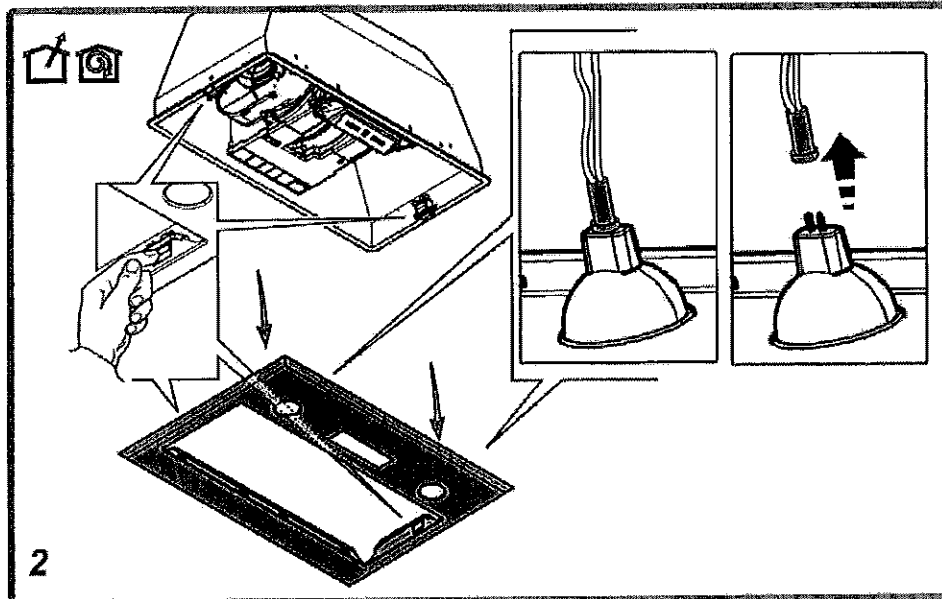
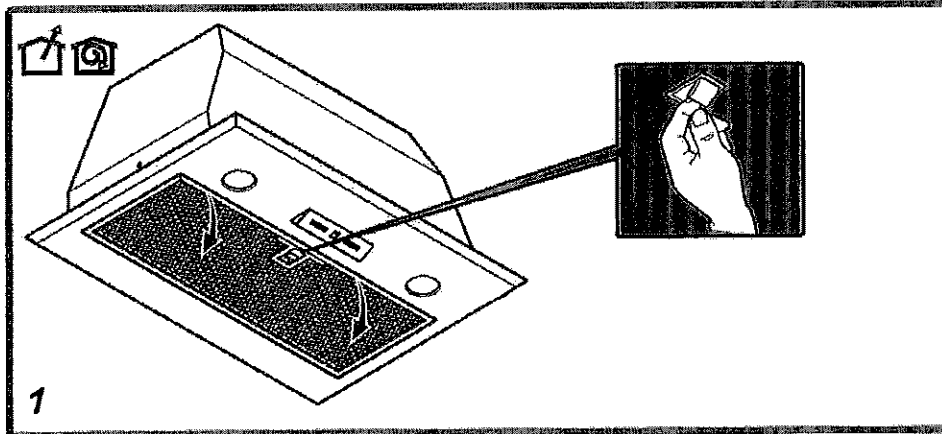
When making an appointment, state the full reference of your equipment (model, type and serialnumber).

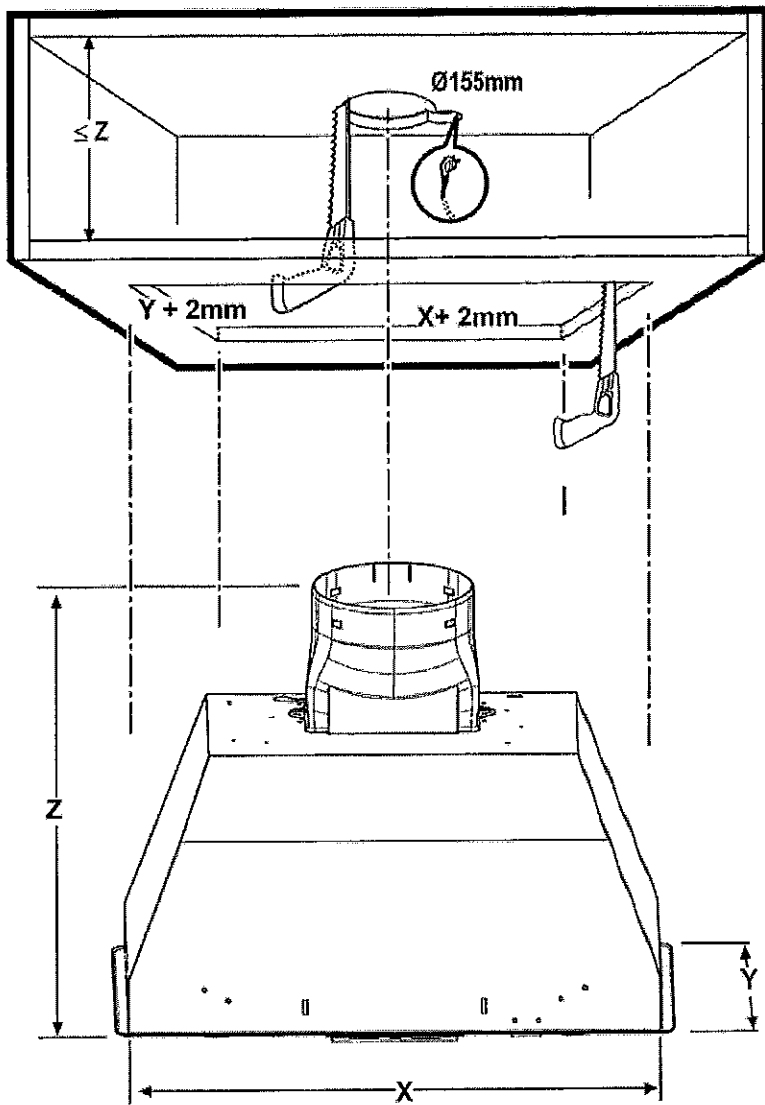
This information appears on the manufacturer's nameplate attached to your equipment.



Troubleshooting

SYMPTOMS	SOLUTIONS
The hood is not working...	Ensure that: <ul style="list-style-type: none"> • The power is not cut off. • A speed has been selected.
The hood is not operating effectively	Ensure that: <ul style="list-style-type: none"> • The selected motor speed is sufficient for the quantity of smoke and vapours to be cleared. • The kitchen is sufficiently ventilated to allow for fresh air intake. • The air pipe circuit involves a lack of efficiency of the cooker hoods. Contact a qualified technician. • The carbon filter is not worn (hood operating in recycling mode).
The hood stopped working	Ensure that: <ul style="list-style-type: none"> • The power is not cut off. • The single-pole cut-off device was not activated.





4

