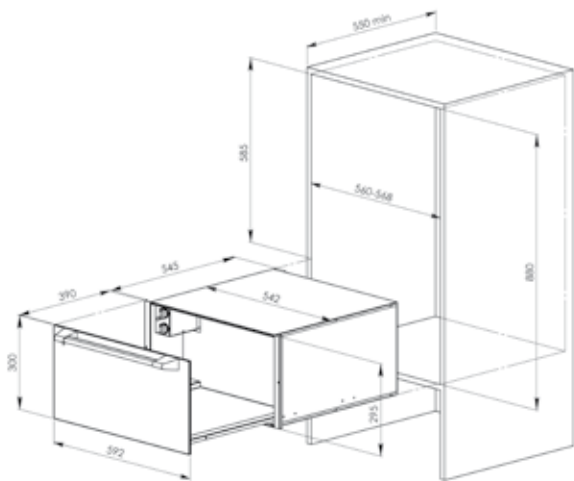


WARMING DRAWERS

TECHNICAL INFORMATION & DRAWINGS

MODEL NUMBER	DWD914X/B	DWD929X/B
Finish	Stainless steel & black	Stainless steel & black
FEATURES		
Anti finger print to stainless steel model	•	•
Top/bottom stainless steel profile trim	•	•
Fan heating	•	•
Adjustable temperature	•	•
Timer	•	•
On/off switch	•	•
Anti-slip mat	•	•
Quadro rail system for smooth automatic door closing	•	•
CAPACITY		
Large dishes	20	40
Bowls	30	60
Small coffee cups	80	120
Serving dishes	2	2
Volume (litres)	24	60
DIMENSIONS		
Built-in H / W / D (mm)	135 x 560 x 550	295 x 560 x 550
Net weight (kg)	16.3	21.5
Gross weight (kg)	17.5	23
ELECTRICAL CONNECTION		
Total connected load (kW)	0.5	0.5

DWD929X/B



DWD914X/B

