

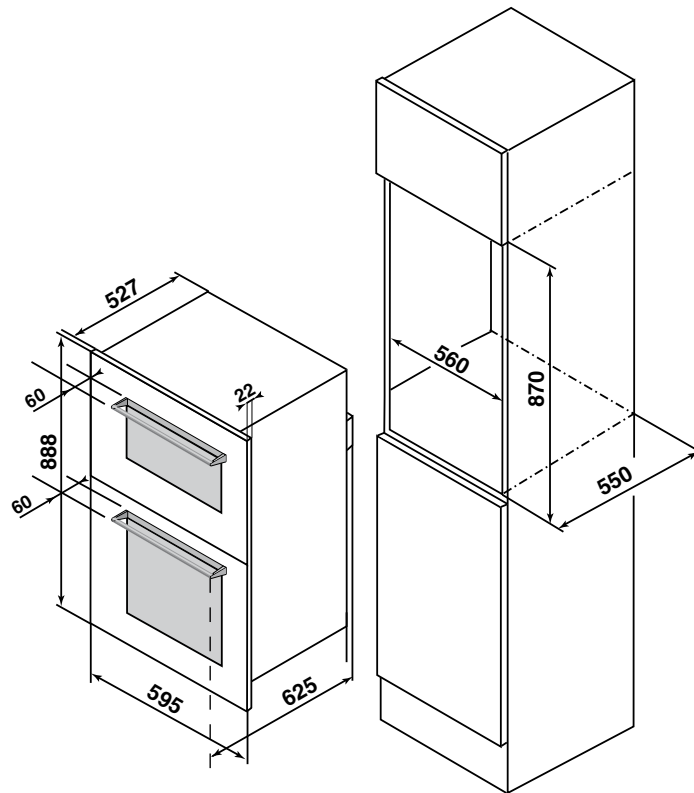
DOUBLE OVENS

TECHNICAL INFORMATION

MODEL NUMBER	DOD798X/B/W	DOD788X/B	DOD778X/B	DOD717X
TOP OVEN FUNCTIONS				
Top oven functions	11	7	3	
Fan – forced air cooking	•			
Turbo grill	•			
Keep warm	•	•		
Full width variable grill	•	•	•	•
Economy grill	•	•	•	
Combined heat – pizza setting	•			
Conventional cooking			•	•
Conventional ECO cooking	•	•		
Defrost	•	•		
Bread	•			
Base heat				•
MAIN OVEN FUNCTIONS				
Main oven functions	11	11	11	9
Fan – forced air cooking	•	•	•	•
Turbo grill	•	•	•	•
Keep warm	•	•	•	•
Full width variable grill	•	•	•	•
Economy grill	•	•	•	•
Combined heat – pizza setting	•	•	•	•
Conventional cooking				•
Conventional ECO cooking	•	•	•	
Fan assisted cooking				•
Bread	•	•	•	
Defrost	•	•	•	•
Base heat				•
OVEN CLEANING				
Pyroclean	Both	Both	Main	
High grade, easy clean enamel interior	•	•	Top	•
Easy clean inner door	•	•	•	•
OVEN FEATURES & CONTROLS				
Type of controls	Touch control	Touch control	Rotary & touch	Rotary
Interior lights (watts)	Halogen 25W	Halogen 25W	Halogen 15W	40W
Electronic clock & oven programmer	2	2	•	•
Digital minute minder	2	2	•	•
Display	Animated	Animated	Animated	Animated
Recommended temperatures	•	•	•	•
SAFETY FEATURES				
Auto-safety shut off	•	•	Main	•
Child lock	•	•	Main	•
Type of door	Cool door	Triple glazed	Triple glazed	Double glazed
Number of glass panels	4 / 4	3 / 3	3 / 3	2 / 2
Auto-stop anti-tip shelves	•	•	•	•
Cooling fan	•	•	•	•
EQUIPMENT & ACCESSORIES				
Anti-tip shelf	3	2	2	2
Large grill pan & trivet shelf	1	1	1	1
Full width Lissium baking tray	1	1	1	
Rotisserie with trivet	1			
Telescopic runners	3			
DIMENSIONS				
Built-in H / W / D (mm)	870 x 560 x 550	870 x 560 x 560	870 x 560 x 560	714/557/542
Overall H / W / D (mm)	888 x 595 x 625	888 x 595 x 625	888 x 595 x 625	718/595/564
Packed H / W / D (mm)	990 x 640 x 660	990 x 640 x 660	990 x 640 x 660	810/640/660
Volume (litres)	32 / 56	32 / 56	32 / 56	35 / 50
Net weight (kg)	70	70	70	45
Gross weight (kg)	75	75	75	51
CONSUMPTION				
Energy class	B / A	B / A	B / A	A / A
To reach 200°C (kW/h)	0.345	0.325 / 0.31	0.325 / 0.31	0.325 / 0.31
Maintain at 200°C (kW/h)	0.535	0.515 / 0.520	0.515 / 0.520	0.515 / 0.45
Pyroclean 80 minutes (kW/h)	3	3.64	3.64	
ELECTRICAL CONNECTION				
Supplied with cable	No	No	No	No
Total connected load (kW)	6.28	6.74	5.35	5.5
Connection	220-240 / 50Hz	220-240 / 50Hz	220-240 / 50Hz	220-240 / 50Hz
Fuse rating (amps)	32	32	32	32

DOUBLE OVENS TECHNICAL DRAWINGS

DOD798X/B/W / DOD788X/B / DOD778X/B



DOD717X

