

# DISHWASHERS

## TECHNICAL INFORMATION

MODEL NUMBER	DVH640JU1	DVH610JU1	DVY640JU1
Place settings	13	13	10
<b>CONTROLS</b>			
Design	Fully integrated	Fully integrated	Slimline fully integrated
Delay start	•	•	•
LCD programme progress indicator	•	•	Digital
Time remaining display	•	•	•
Salt refill indicator light	•	•	•
Rinse aid refill indicator light	•	•	•
End of programme signal	•	•	•
Start / stop button	•	•	•
4-in-1 option	•	•	
Clock	•		
Load level & cycle phase			
Touch controls	•	•	
<b>PROGRAMMES</b>			
Number of wash programmes	7	7	8
Number of temperature settings	7	6	7
Boost (saucepans)	•		•
Intensive		•	•
ICS	•	•	•
Normal (daily)	•	•	•
Wash (night)	•	•	•
ECO	•	•	•
Crystal**	•		
Delicate			
Rapid (quick wash)	•	•	•
Soak (prewash)		•	•
Half load			•
Drying	Turbo ventilation	Active condensation	Condenser
Eolyse®	•		
Multi-tab adjustment	•	•	
AQUABLOCK	•		•
AQUASAFE		•	
<b>INTERIOR</b>			
Interior light	•		
Metallic silver baskets	•		
Grey baskets		•	•
ESPACE basket	•		
Upper basket height adjustable	•	•	•
Foldable cup rack	4	3	4
Foldable plate rack	2	3 (upper)	4
Support rack for wine glasses	2	2	4
Support rack	•		
Multi position cutlery basket	2	1	
Large cutlery basket	•	•	•
Foldable bottom plate rack	•	•	
Easy access handle	•		
Central folding area		•	
Different position for different types of wine glass		•	
Automatic rinse aid dispenser	•	•	•
Automatic detergent dispenser	•	•	•
Anti-overflow	•	•	•
Anti-leak	•	•	•
Anti-pipe burst	•	•	•
Electrical water intake cut off	•		•
Spraying levels	6	6	5
4 level filter	•	•	3
Self cleaning micro filter	•	•	•
Stainless steel filter	•	•	•
<b>INSTALLATION FEATURES</b>			
Hot / cold water connection	Either	Either	Either
Water hardness regulation levels	Yes	Yes	Yes
Adjustable door balance	From front	From front	From front
Adjustable height	From front	From front	From front
Top & side fixing brackets	Yes	Yes	Yes
<b>ENERGY EFFICIENCY INFORMATION</b>			
Energy efficiency	A	A	A
Electricity consumption per cycle (kWh)*	1.05	1.05	1.01
Wash efficiency	A	A	A
Drying efficiency	A	A	A
Noise level (dBA)	43	48	48
Water consumption per cycle (litres)*	11	12	12
Duration (minutes)*	145	160	170
Annual water consumption (litres)**	2640	3520	2640
Annual electricity consumption (kWh)**	231	231	222
<b>ELECTRICAL CONNECTION</b>			
Fuse rating (amps)	13	13	13
<b>PRODUCT DIMENSIONS</b>			
Built-in H / W / D (mm)	820-880 x 600 x 570-574	820-880 x 600 x 570-574	820-880 x 450 x 550
Overall H / W / D (mm)	818 x 595 x 574	818 x 595 x 574	820 x 488 x 548
Packed H / W / D (mm)	890 x 675 x 660	890 x 675 x 660	859 x 494 x 661
Net weight (kg)	48	46	37
Gross weight (kg)	50	48	40

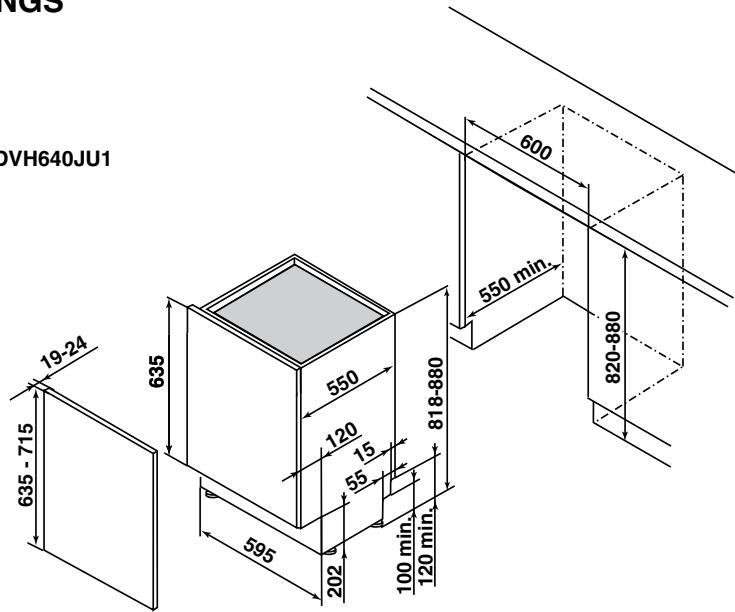
\* Measured as per EN-50242

\*\* Estimated average based on 220 washes

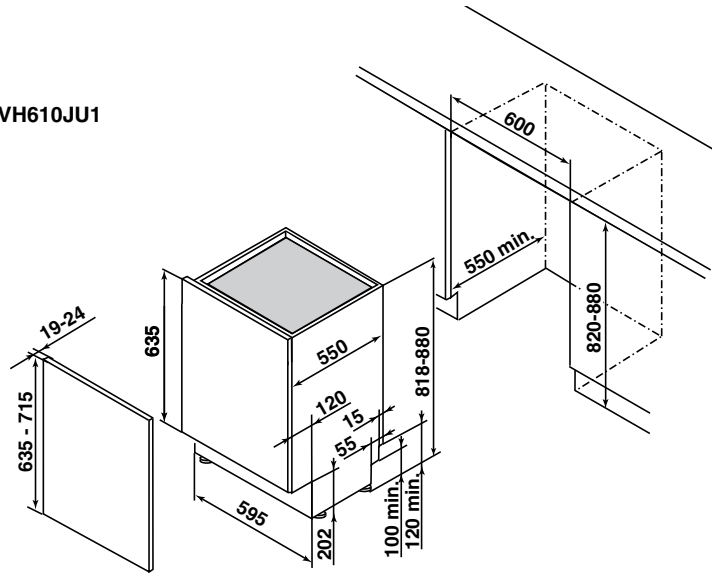
# DISHWASHERS

## TECHNICAL DRAWINGS

DVH640JU1



DVH610JU1



DVY640JU1

