

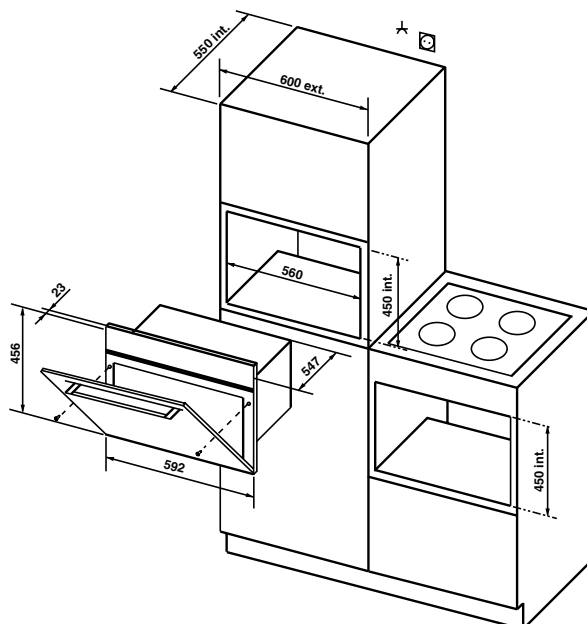
# COMPACT OVENS

## TECHNICAL INFORMATION

MODEL NUMBER	COMPACT 45		
	DOP745X	DOV745X/B	DME795X/B/W
Mode of cooking	Multifunction	Steam cooking	Microwave & fan
Type of cleaning	Pyroclean	Manual	Manual
<b>CONTROL PANEL</b>			
Type of controls	Digital touch control	Digital touch control	Digital touch control
Display	Animated	Animated	Animated
Electronic programmer	•	•	•
Recommended temperature setting	•	•	•
Preset temperatures	•	•	•
Oven functions	10	8	11
Automatic clock	•	•	•
Electronic minute minder	•	•	•
<b>OVEN</b>			
Type of cavity	High grade enamel	Stainless steel	High grade enamel
Grill (kW)	2.1		1.75
Fan (kW)	1.5		1.6
Power of bottom element (kW)	1.2		
Microwave power (kW)			1.0
Steam generator (kW)		1.6	
Removable door & inner glass panel	•	•	•
<b>SAFETY FEATURES</b>			
Auto-safety shut off	•		
Child lock	•	•	•
Type of door	Cool door	Double glazed	Double glazed
Number of glass panels	4	2	2
Cooling fan	•		•
<b>ACCESSORIES</b>			
Shelves	1	1	1
Enamel tray	1		
Baking tray	1		1
Glass tray			1
Rotisserie	1		
Steel cooking dish & trivet		1	
<b>DIMENSIONS</b>			
Built-in H / W / D (mm)	450 x 560 x 550	450 x 560 x 550	450 x 560 x 550
Overall (with handles) H / W / D (mm)	456 x 592 x 628	456 x 592 x 479	456 x 592 x 625
Interior H / W / D (mm)	226 x 385 x 410	185 x 385 x 416	210 x 420 x 370
Packed H / W / D (mm)	539 x 655 x 701	540 x 655 x 701	540 x 655 x 701
Volume (litres)	36	23	40
Net weight (kg)	38	20	39
Gross weight (kg)	40	23	43
Supplied without plug	Yes	Yes	Yes
Shelf edging trim	1	1	1
<b>CONSUMPTION</b>			
Energy class	A		
To reach 200°C (kW/h)	0.38		
Maintain at 200°C (kW/h)	0.41		
Pyroclean 80 minutes (kW/h)	3.64		
Maintain at 100°C (kW/h)	0.71		
<b>ELECTRICAL CONNECTION</b>			
Supplied with cable	Yes	Yes	Yes
Total connected load (kW)	3.385	1.78	3.4
Connection	220-240 / 50Hz	220-240 / 50Hz	220-240 / 50Hz
Fuse rating (amps)	16	13	16

# COMPACT OVENS TECHNICAL DRAWINGS

DOP745X / DME795X/B/W



DOV745X/B

